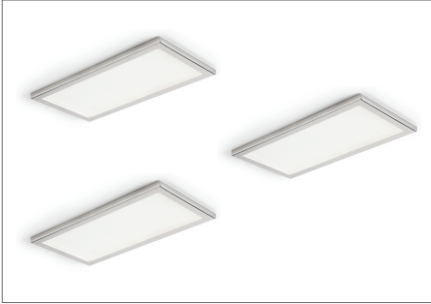


**SET TITAN 3X - with switch**

www.domusline.com

Under cabinet luminaire for diffused lighting

| Device with non-replaceable LED module



**Product features**

Housing:	aluminium
Diffuser:	LGP
Wiring:	2000mm
Connector:	Micro12
Switch	dimnable touch switch
N. LEDs:	54
Durability:	30,000 h <sup>1</sup>



**Technical Data**

Wattage:	6 W
Voltage:	12 Vdc <sup>2</sup>
Insulation degree:	III <sup>2</sup>
Socket/Type:	LED

1\_ average value (minimum guaranteed complies with the requirements of EU Regulation 1194/2012)  
 2\_ Referred to Titan luminaire

Code	Watt & Volt	Light colour	Finish	EAN	Intrastat Number
2236816N	3x6W @ 230Vac	natural white	steel	8027934239377	94054099
2236816B	3x6W @ 230Vac	warm white	steel	8027934240854	94054099

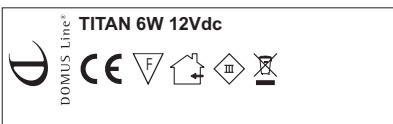


Scan for installation manual

**LED CONVERTER INCLUDED.**




**12Vdc** feeding by costant voltage Converter

**230V** Costant voltage converter included



Referred to Titan luminaires

**Marks and symbols**

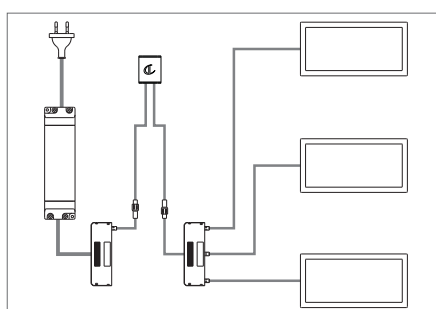
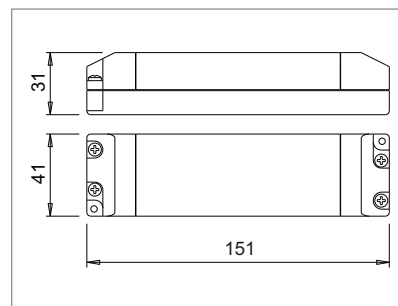
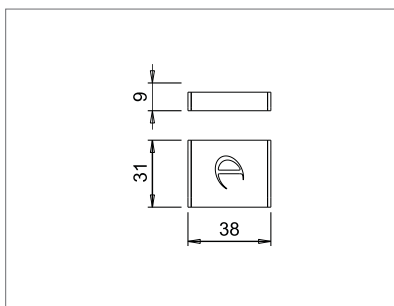
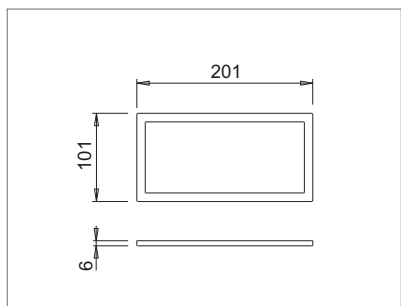
-  Device in compliance with the EN60598 regulation-last edition.
-  Protection class III device. Power must be supplied by a safe power supply (in accordance with the EN61347-2-13 standard).
-  Device suitable for mounting in or on normally flammable surfaces.
-  Device only for indoor installation.
-  Device subject to the European Community directives 2002/96/CE and 2003/108/CE.

**SET TITAN 3X - with switch**

www.domusline.com

Under cabinet luminaire  
for diffused lighting

| Device with non-replaceable LED module

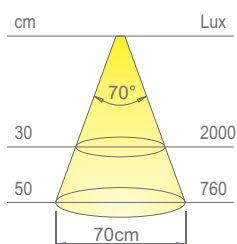


Scan for more info about Dot

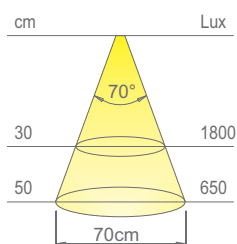


Scan for more info about power supply

**Photometric Data<sup>3</sup>**



Colour appearance: natural white  
 Color temperature: 4000 Kelvin  
 Luminous efficiency: 45 lm/W  
 CRI: Ra 90  
 Binning: Variation of chromaticity coordinates within a MacAdam ellipse



Colour appearance: warm white  
 Color temperature: 3100 Kelvin  
 Luminous efficiency: 40 lm/W  
 CRI: Ra 90  
 Binning: Variation of chromaticity coordinates within a MacAdam ellipse

<sup>3</sup>\_average value (minimum guaranteed complies with the requirements of EU Regulation 1194/2012)

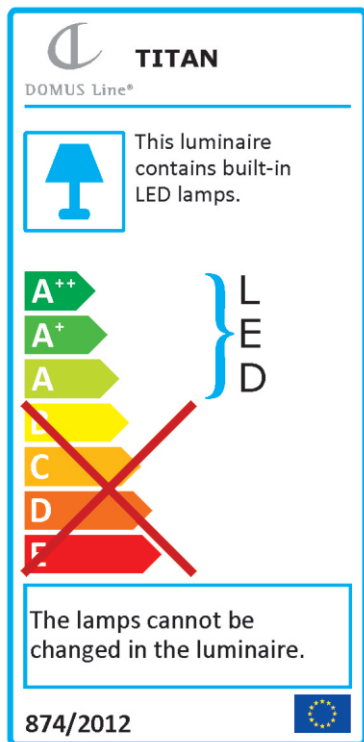
**SET TITAN 3X - with switch**

www.domusline.com

Under cabinet luminaire  
for diffused lighting

| Device with non-replaceable LED module

**Energy label**



Scan for more info

**Compliance**

Standards : EN 55015:2006+A2:2009 EN 61000-4-6:2009  
 EN 61000-3-2:2006+A2:2009 EN 61000-4-8:2010  
 EN 61000-3-3:2008 EN 61547:2009  
 EN 61000-4-2:2009 EN 61000-4-11:2004  
 EN 61000-4-3:2006+A2:2010 EN 60598-1:2008+A11:2009  
 EN 61000-4-4:2004+A1:2010 EN 60598-2-2:1996+A1:1997  
 EN 61000-4-5:2006

European Directives : 2014/35/EU Low Voltage  
 2014/30/EU EMC  
 2009/125/CE Erp (1194-2012-CE)  
 2011/65/UE RoHS

Photobiological Safety: risk 0 (free)

Certificate/s:

**Packaging data**

	Pcs	Dimensions LxWxH (mm)	Gross weight	Net weight
Packaging unit:	1 pcs	200x250x100	1,138 Kg	1 Kg
Multibox unit:	12 pcs	760x410x230	14,574 Kg	12 Kg