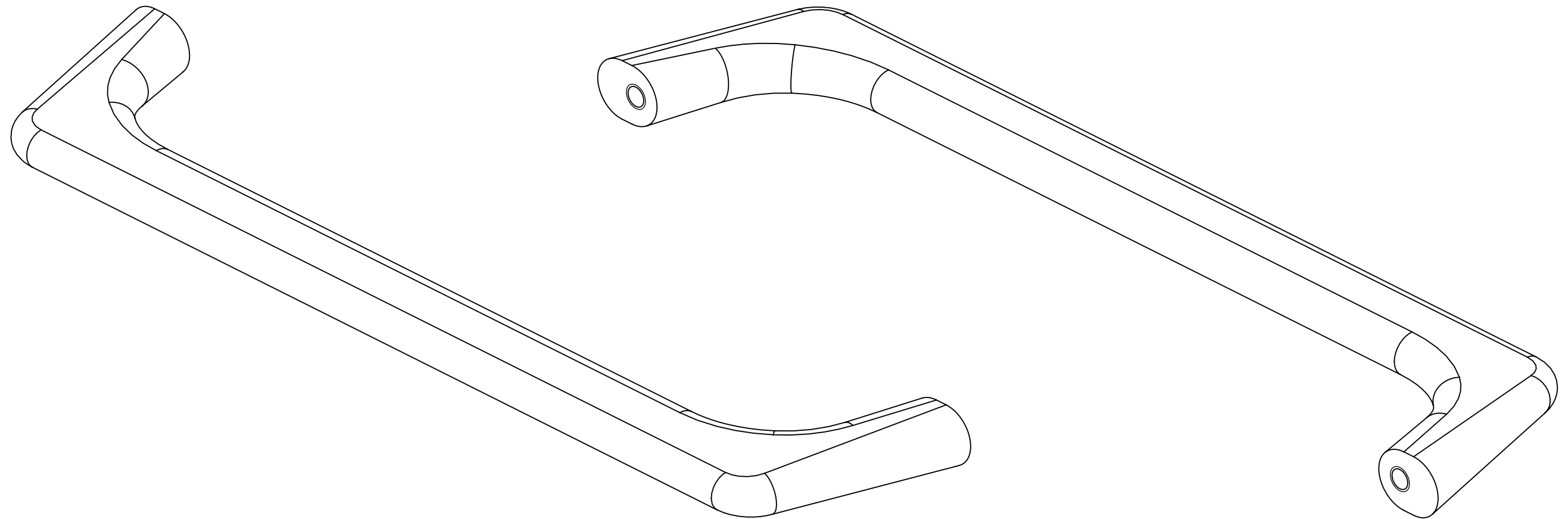


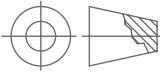

PART NO.	C/C	L	dMIN	dMAX
538560096	96	112		
538560160	160	176	3	6
538560192	192	208		
538560256	256	272		
538560320	320	336	4	9

Rev.:	Date:	Name:	Description:
F	09-08-2017	IKR	Screw definition added
E	23-07-2016	IKR	New lengths added
D	05-07-2016	IKR	Dimensions added
C	17-05-2016	IKR	New lengths added

Part name: VISTA	Projection: 	Sheet format: A3	Tolerance unless otherwise specified DS/ISO 2768-1M																		
Customer:	Drawn by: IKR date 05-11-2015	Scale: 1:1																			
Part no.: 538560xxx	Page 1 of 2	<table border="1"> <thead> <tr> <th>Linear dimensions:</th> <th>0-3</th> <th>3-6</th> <th>6-30</th> <th>30-120</th> <th>120-400</th> <th>400-1000</th> <th>1000-2000</th> <th>2000-4000</th> </tr> </thead> <tbody> <tr> <td></td> <td>± 0.1</td> <td>± 0.1</td> <td>± 0.2</td> <td>± 0.3</td> <td>± 0.5</td> <td>± 0.8</td> <td>± 1.2</td> <td>± 2</td> </tr> </tbody> </table>		Linear dimensions:	0-3	3-6	6-30	30-120	120-400	400-1000	1000-2000	2000-4000		± 0.1	± 0.1	± 0.2	± 0.3	± 0.5	± 0.8	± 1.2	± 2
Linear dimensions:	0-3	3-6	6-30	30-120	120-400	400-1000	1000-2000	2000-4000													
	± 0.1	± 0.1	± 0.2	± 0.3	± 0.5	± 0.8	± 1.2	± 2													
Material: Zinc	Weight: 121.99 grams	<table border="1"> <thead> <tr> <th>Angle</th> <th>Radius</th> </tr> </thead> <tbody> <tr> <td>± 0.5°</td> <td>± 0.2</td> </tr> </tbody> </table>		Angle	Radius	± 0.5°	± 0.2														
Angle	Radius																				
± 0.5°	± 0.2																				
furnipart® <small>Delta 2 DK-8382 Hinnerup Phone: +45 87 64 35 00 Fax: +45 87 64 35 01</small>		<small>COPYRIGHT: THIS DRAWING MAY NOT BE COPIED OR REPRODUCED IN ANY WAY WITHOUT DIRECT PERMISSION FROM FURNIPART A/S</small>																			



Rev.:	Date:	Name:	Description:
F	09-08-2017	IKR	Screw definition added
E	23-07-2016	IKR	New lengths added
D	05-07-2016	IKR	Dimensions added
C	17-05-2016	IKR	New lengths added

Part name: VISTA	Projection: 	Sheet format: A3	Tolerance unless otherwise specified DS/ISO 2768-1M																						
Customer:	Drawn by: IKR date 05-11-2015	Scale: 1.5:1																							
Part no.: 538560xxx	Material: Zinc	Page 2 of 2	<table border="1"> <thead> <tr> <th>Linear dimensions:</th> <th>0-3</th> <th>3-6</th> <th>6 - 30</th> <th>30- 120</th> <th>120- 400</th> <th>400- 1000</th> <th>1000 2000</th> <th>2000 4000</th> </tr> </thead> <tbody> <tr> <td></td> <td>± 0.1</td> <td>± 0.1</td> <td>± 0.2</td> <td>± 0.3</td> <td>± 0.5</td> <td>± 0.8</td> <td>± 1.2</td> <td>± 2</td> </tr> </tbody> </table> <table border="1"> <thead> <tr> <th>Angle</th> <th>Radius</th> </tr> </thead> <tbody> <tr> <td>± 0.5°</td> <td>± 0.2</td> </tr> </tbody> </table>	Linear dimensions:	0-3	3-6	6 - 30	30- 120	120- 400	400- 1000	1000 2000	2000 4000		± 0.1	± 0.1	± 0.2	± 0.3	± 0.5	± 0.8	± 1.2	± 2	Angle	Radius	± 0.5°	± 0.2
Linear dimensions:	0-3	3-6	6 - 30	30- 120	120- 400	400- 1000	1000 2000	2000 4000																	
	± 0.1	± 0.1	± 0.2	± 0.3	± 0.5	± 0.8	± 1.2	± 2																	
Angle	Radius																								
± 0.5°	± 0.2																								
	Weight: 121.99 grams																								
		<small>Delta 2 DK-8382 Hinnerup Phone: +45 87 64 35 00 Fax: +45 87 64 35 01</small>																							
COPYRIGHT: THIS DRAWING MAY NOT BE COPIED OR REPRODUCED IN ANY WAY WITHOUT DIRECT PERMISSION FROM FURNIPART A/S																									