

PART NO.	C/C	L
510360096	96	106
510360128	128	138
510360160	160	170
510360192	192	202
510360224	224	234
510360256	256	266
510360320	320	330
510360448	448	458

Part name:  
**SQUARE 10x10**

Customer:

Part no.: **510360xxx**

Material:  
**Zinc**

Projection:

Sheet format:  
**A4**

Scale:  
**1:1**

Drawn by:  
**ps date 02.09.2011**

Page 1 of 2

Weight:  
**119,17 grams**

Tolerance unless otherwise specified DS/ISO 2768-1M

Linear dimensions:	0-3	3-6	6-30	30-120	120-400	400-1000	1000-2000
	± 0.1	± 0.1	± 0.2	± 0.3	± 0.5	± 0.8	± 1.2

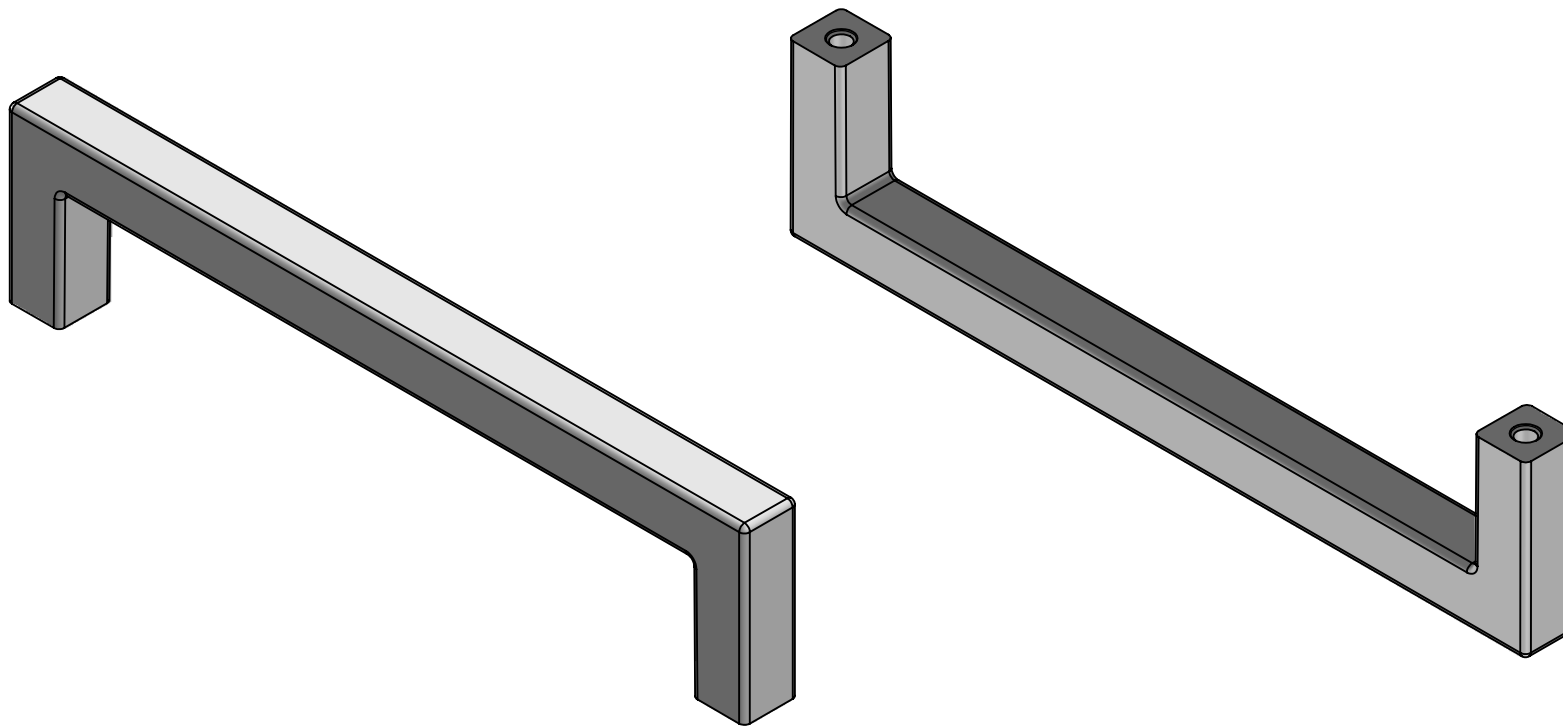
  

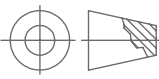

Angle	Radius
± 0.5°	± 5%

Rev.:	Date:	Name:	Description:
A	05-06-2014	PS	Angle modified from 0.3° to 0.5°

**furnipart®**

Delta 2 Phone: +45 87 64 35 00  
DK-8382 Hinnerup Fax: +45 87 64 35 01



Part name: <b>SQUARE 10x10</b>		Projection: 	Sheet format: <b>A4</b>	Tolerance unless otherwise specified DS/ISO 2768-1M																					
Customer:		Drawn by: <b>ps date 02.09.2011</b>	Scale: <b>1:1</b>	<table border="1"> <tr> <td>Linear dimensions:</td> <td>0-3</td> <td>3-6</td> <td>6-30</td> <td>30-120</td> <td>120-400</td> <td>400-1000</td> <td>1000-2000</td> </tr> <tr> <td></td> <td>± 0.1</td> <td>± 0.1</td> <td>± 0.2</td> <td>± 0.3</td> <td>± 0.5</td> <td>± 0.8</td> <td>± 1.2</td> </tr> </table>					Linear dimensions:	0-3	3-6	6-30	30-120	120-400	400-1000	1000-2000		± 0.1	± 0.1	± 0.2	± 0.3	± 0.5	± 0.8	± 1.2	
Linear dimensions:	0-3	3-6	6-30	30-120	120-400	400-1000	1000-2000																		
	± 0.1	± 0.1	± 0.2	± 0.3	± 0.5	± 0.8	± 1.2																		
Part no.: <b>510360xxx</b>		Page 2 of 2		<table border="1"> <tr> <td>Angle</td> <td>Radius</td> <td></td> <td></td> </tr> <tr> <td>± 0.5°</td> <td>± 5%</td> <td></td> <td></td> </tr> </table>					Angle	Radius			± 0.5°	± 5%											
Angle	Radius																								
± 0.5°	± 5%																								
Material: <b>Zinc</b>		Weight: <b>119,17 grams</b>																							
<table border="1"> <tr> <td>Rev.:</td> <td>Date:</td> <td>Name:</td> <td>Description:</td> </tr> <tr> <td>A</td> <td>05-06-2014</td> <td>PS</td> <td>Angle modified from 0.3° to 0.5°</td> </tr> <tr> <td> </td> <td> </td> <td> </td> <td> </td> </tr> <tr> <td> </td> <td> </td> <td> </td> <td> </td> </tr> </table>		Rev.:	Date:						Name:	Description:	A	05-06-2014	PS	Angle modified from 0.3° to 0.5°									<table border="1"> <tr> <td>Delta 2</td> <td>Phone:</td> <td>+45 87 64 35 00</td> </tr> <tr> <td>DK-8382 Hinnerup</td> <td>Fax:</td> <td>+45 87 64 35 01</td> </tr> </table>		Delta 2
Rev.:	Date:	Name:	Description:																						
A	05-06-2014	PS	Angle modified from 0.3° to 0.5°																						
Delta 2	Phone:	+45 87 64 35 00																							
DK-8382 Hinnerup	Fax:	+45 87 64 35 01																							