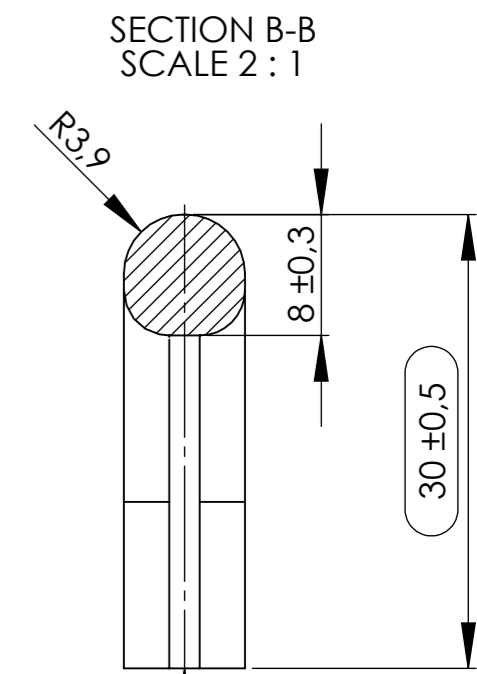
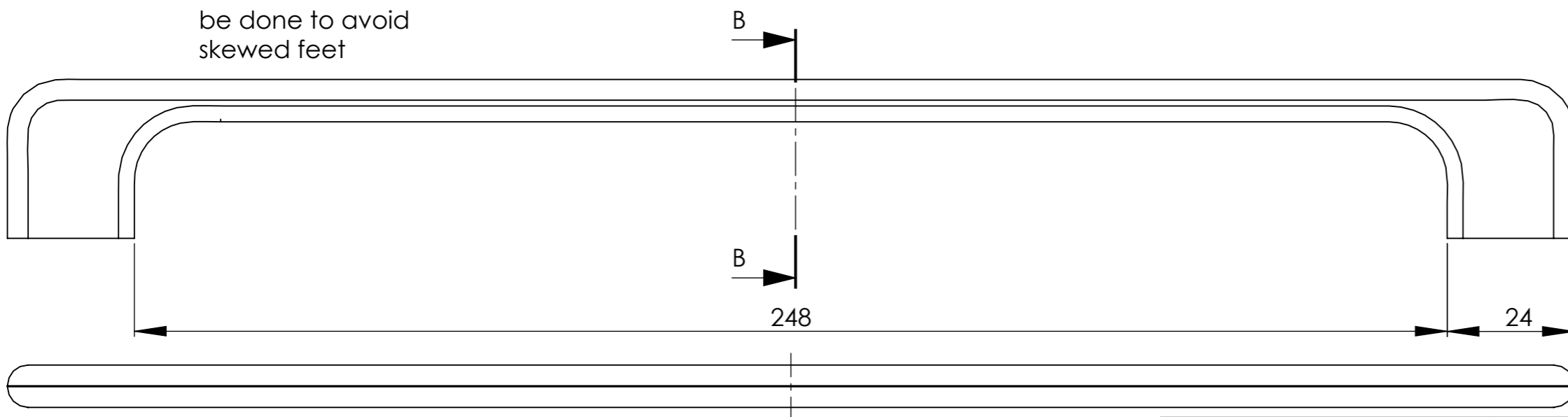


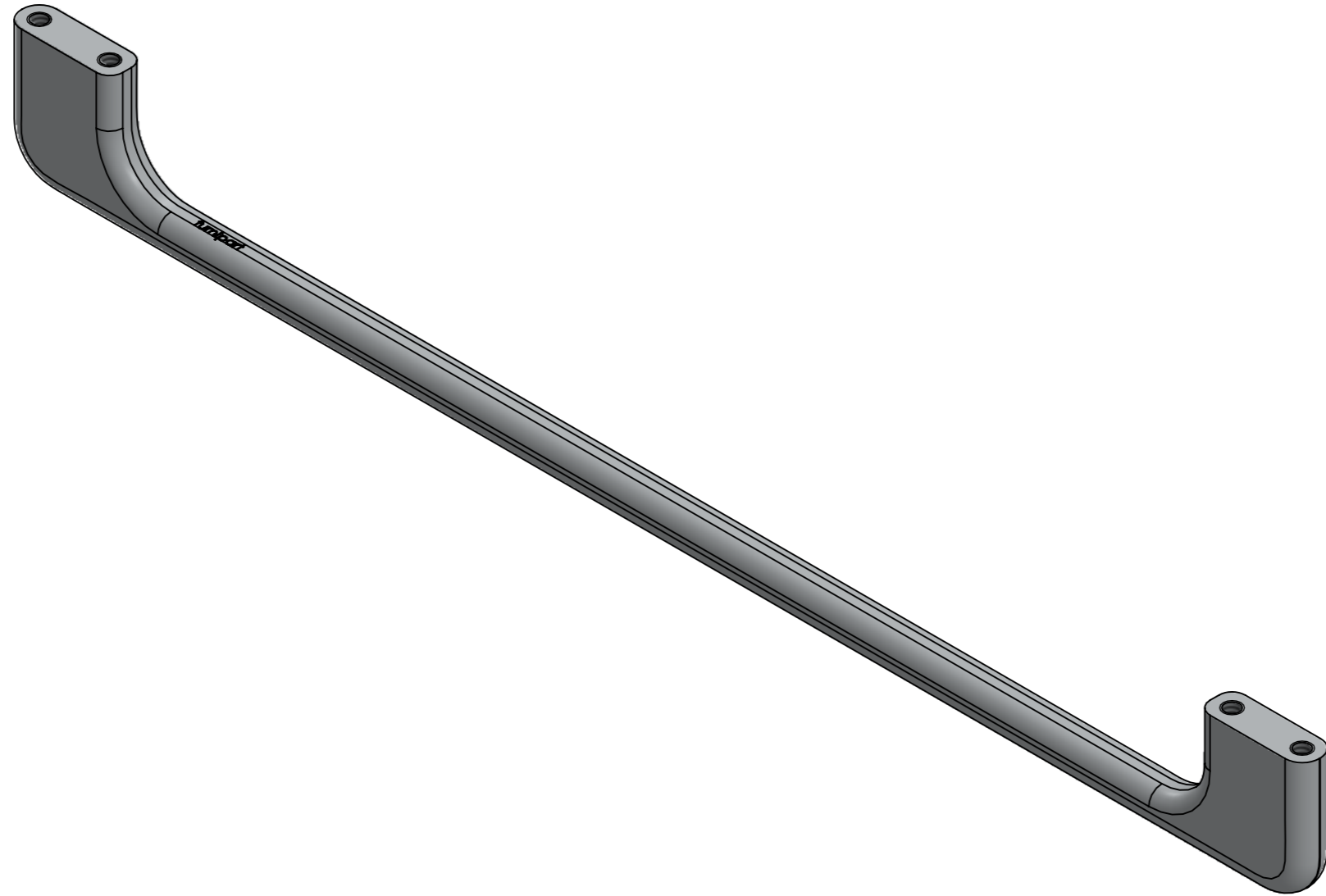
Flatness 0.1
Machine milling of the feet must be done to avoid skewed feet





Flatness 0.1
Machine milling of the feet must be done to avoid skewed feet



Part name: DOPPIA	Projection: 	Sheet format: A3	Tolerance unless otherwise specified DS/ISO 2768-1M Linear dimensions: 0-3 ± 0.1 3-6 ± 0.1 6-30 ± 0.2 30-120 ± 0.3 120-400 ± 0.5 400-1000 ± 0.8 1000-2000 ± 1.2
Customer:	Drawn by: ps date 28.10.2014	Scale: 1:1	
Part no.: 428120256288	Page 1 of 2	Angle: ± 0.5° Radius: ± 5%	
Material: Aluminium	Weight: 64,18 grams	 Delta 2 DK-8382 Hinnerup Phone: +45 87 64 35 00 Fax: +45 87 64 35 01	
Rev.:	Date:		



Rev.:	Date:	Name:	Description:

Part name: DOPPIA	Projection: 	Sheet format: A3	Tolerance unless otherwise specified DS/ISO 2768-1M Linear dimensions:																				
Customer:	Drawn by: ps date 28.10.2014	Scale: 1:1																					
Part no.: 428120256288	Page 2 of 2	<table border="1"> <tr> <td>0-3</td> <td>3-6</td> <td>6 - 30</td> <td>30- 120</td> <td>120- 400</td> <td>400- 1000</td> <td>1000 - 2000</td> </tr> <tr> <td>± 0.1</td> <td>± 0.1</td> <td>± 0.2</td> <td>± 0.3</td> <td>± 0.5</td> <td>± 0.8</td> <td>± 1.2</td> </tr> </table>		0-3	3-6	6 - 30	30- 120	120- 400	400- 1000	1000 - 2000	± 0.1	± 0.1	± 0.2	± 0.3	± 0.5	± 0.8	± 1.2						
0-3	3-6	6 - 30	30- 120	120- 400	400- 1000	1000 - 2000																	
± 0.1	± 0.1	± 0.2	± 0.3	± 0.5	± 0.8	± 1.2																	
Material: Aluminium	Weight: 64,18 grams	<table border="1"> <tr> <td>Angle</td> <td>Radius</td> <td> </td> <td> </td> </tr> <tr> <td>± 0.5°</td> <td>± 5%</td> <td> </td> <td> </td> </tr> </table>		Angle	Radius			± 0.5°	± 5%														
Angle	Radius																						
± 0.5°	± 5%																						
<table border="1"> <tr> <td>Rev.:</td> <td>Date:</td> <td>Name:</td> <td>Description:</td> </tr> <tr> <td> </td> <td> </td> <td> </td> <td> </td> </tr> <tr> <td> </td> <td> </td> <td> </td> <td> </td> </tr> <tr> <td> </td> <td> </td> <td> </td> <td> </td> </tr> <tr> <td> </td> <td> </td> <td> </td> <td> </td> </tr> </table>		Rev.:	Date:	Name:	Description:																		
Rev.:	Date:	Name:	Description:																				
<small>Delta 2 DK-8382 Hinnerup</small>		<small>Phone: +45 87 64 35 00 Fax: +45 87 64 35 01</small>																					
<small>COPYRIGHT: THIS DRAWING MAY NOT BE COPIED OR REPRODUCED IN ANY WAY WITHOUT DIRECT PERMISSION FROM FURNIPART A/S</small>																							