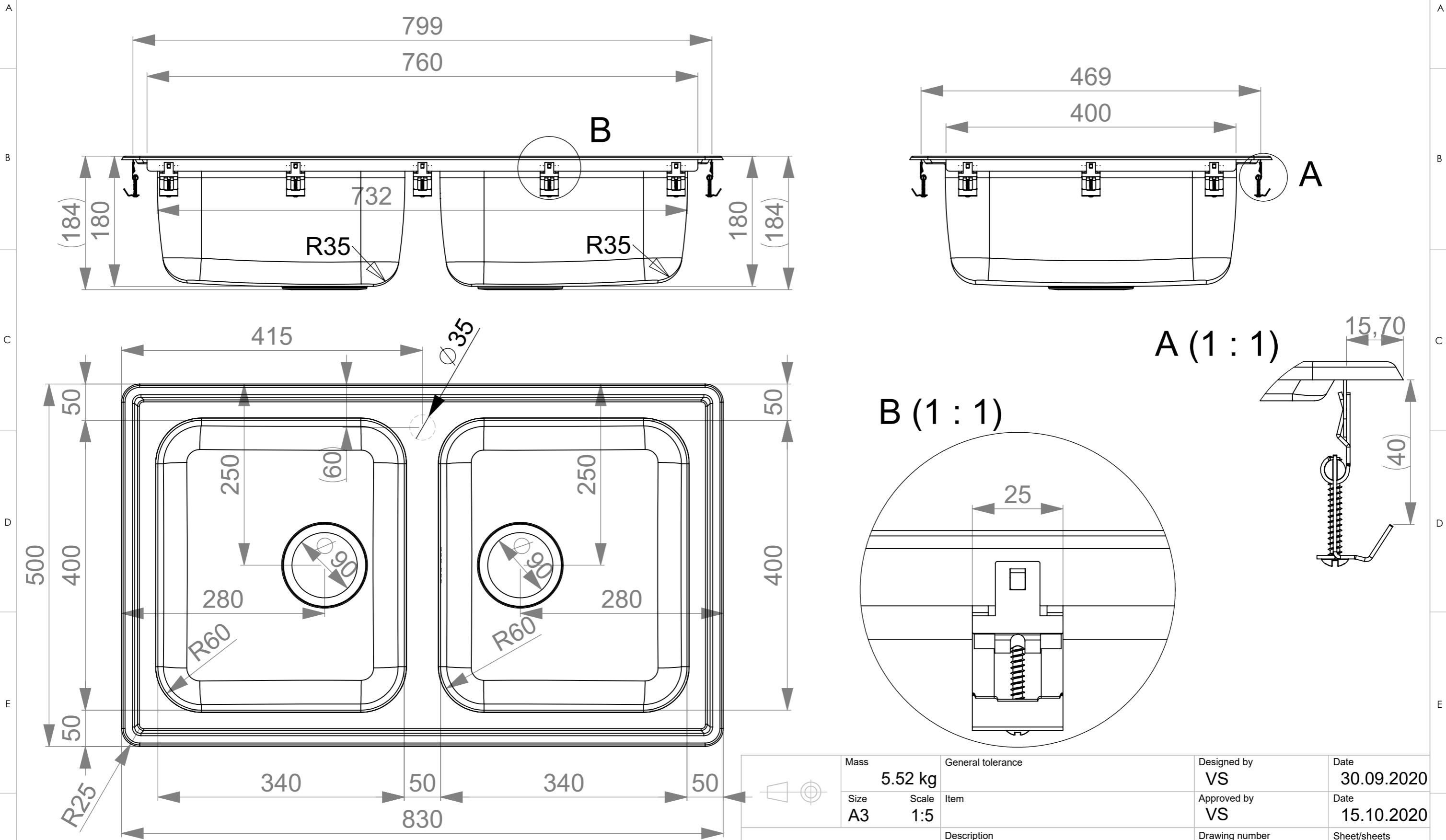


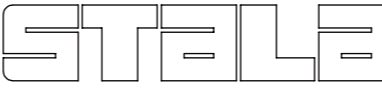
MAIN DIMENSIONS

Change description

Date

Designed by



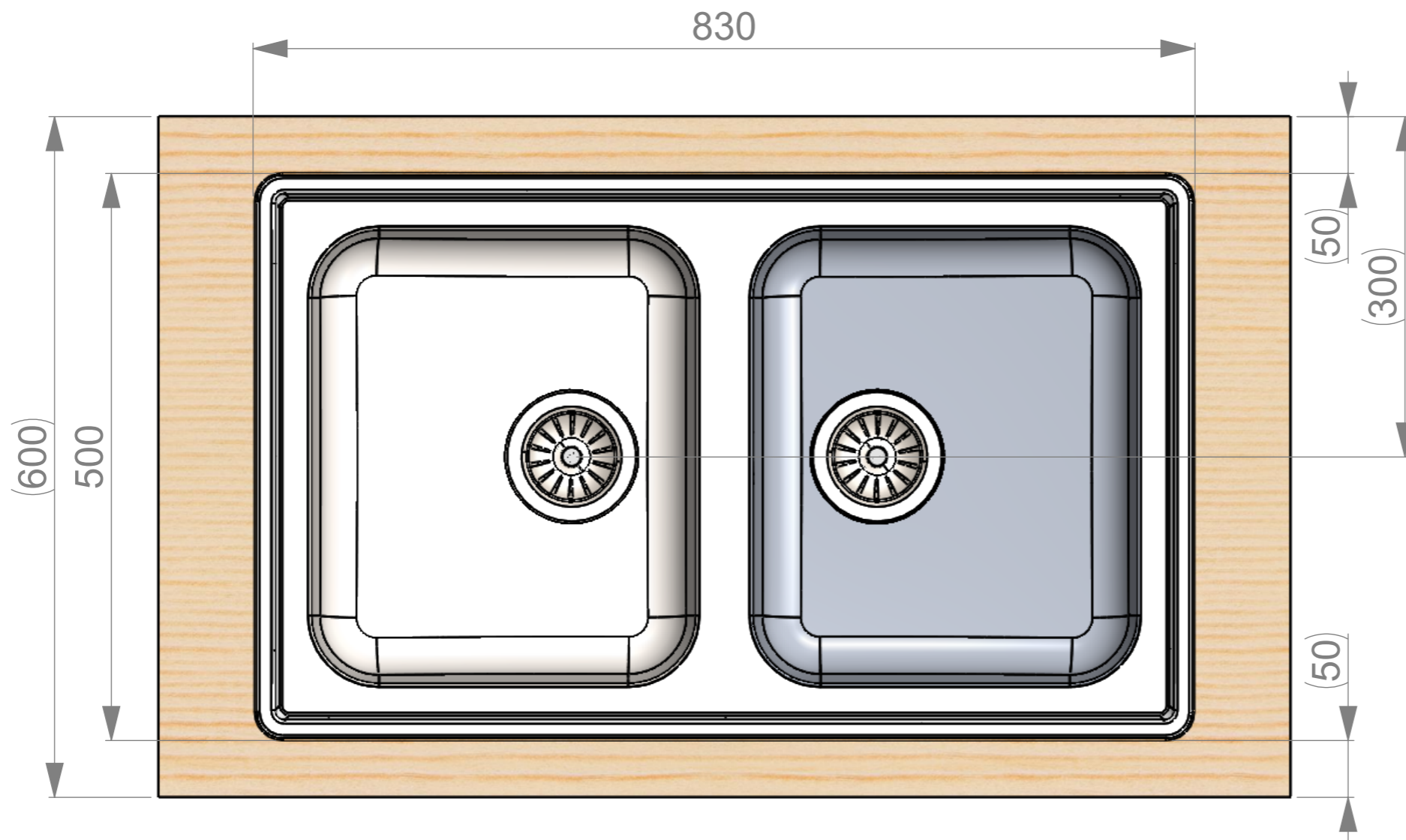
 www.stala.com	Mass <b>5.52 kg</b>	General tolerance (blank)	Designed by <b>VS</b>	Date <b>30.09.2020</b>
	Size <b>A3</b>	Scale <b>1:5</b>	Item (blank)	Approved by <b>VS</b>
Description <b>L40-40</b> <b>Technical Data Sheet</b>			Drawing number <b>19199</b>	Sheet/sheets <b>1/6</b>
				Rev <b>A</b>

WORKTOP ASSEMBLY

Change description

Date

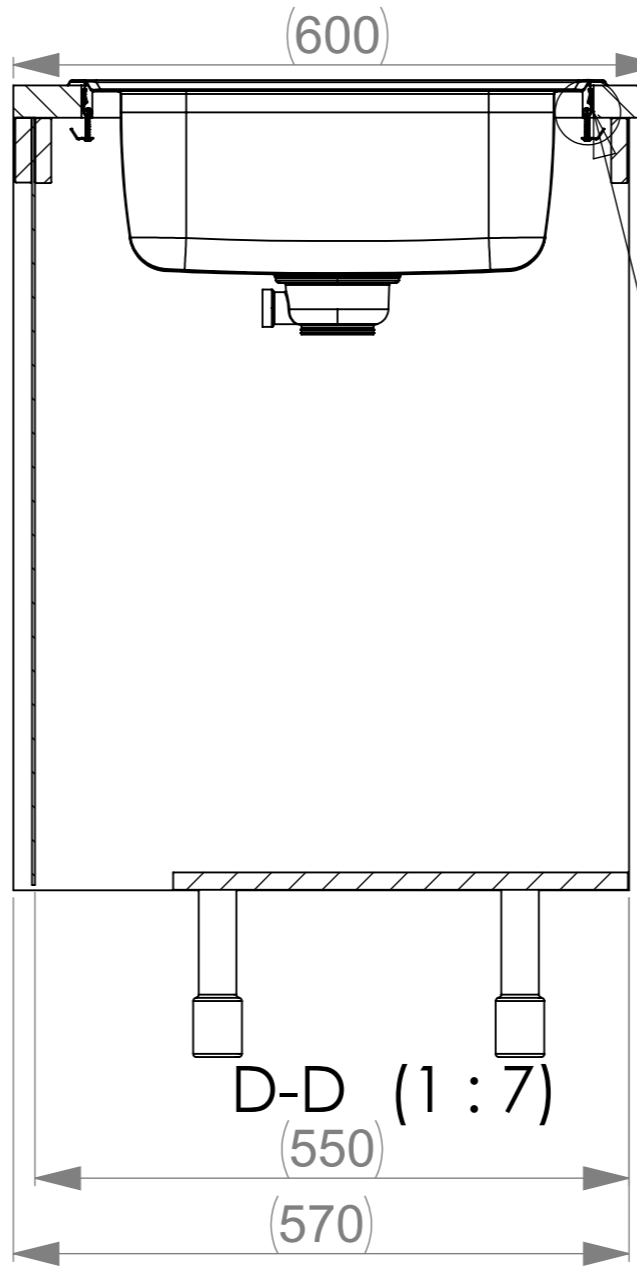
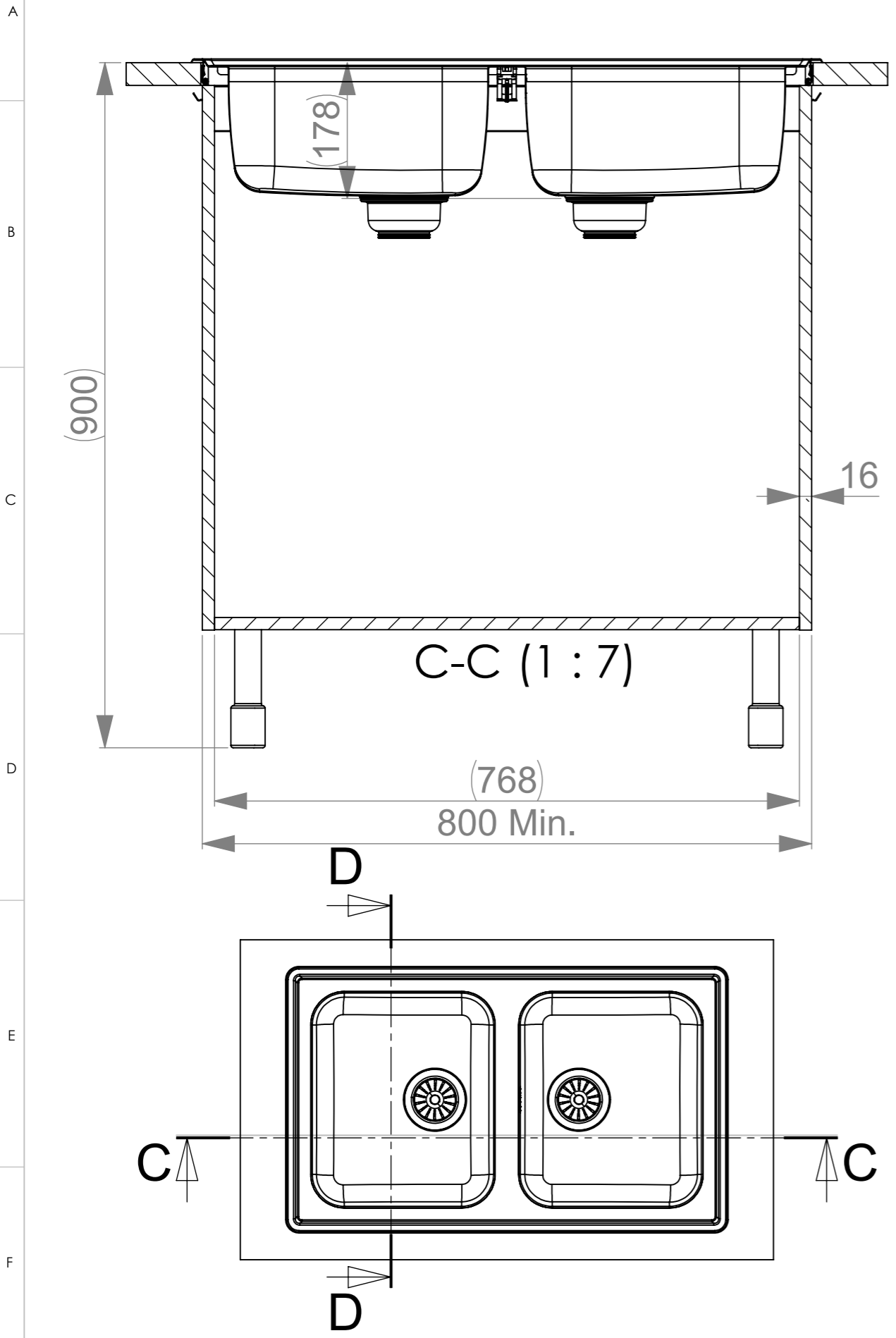
Designed by



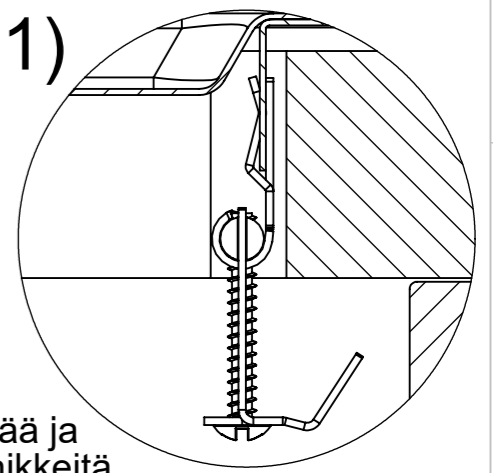
	Mass	5.52 kg	General tolerance	Designed by	Date
	Size	A3	Scale	VS	30.09.2020
 www.stala.com		Scale	1:5	Approved by	Date
	Description		L40-40	VS	15.10.2020
	Technical Data Sheet		Drawing number	19199	Sheet/sheets
				Rev	A

1	2	3	4	5	6	7	8
Change description						Date	Designed by

# SPACE REQUIREMENTS



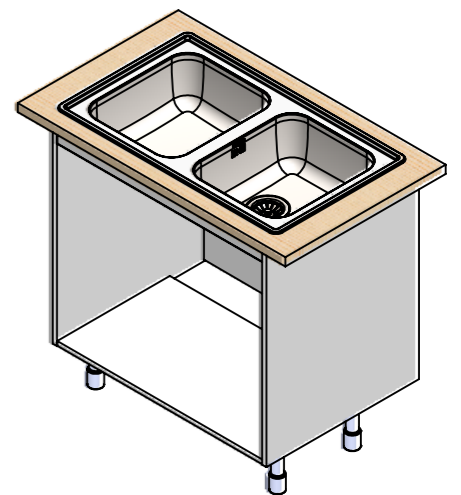
## E (1 : 1)

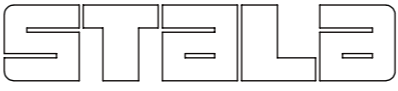


**Huom!**  
 Tarvittaessa kaapin väliseinää ja etu/takalistaa lovetettava kiinnikkeitä varten ja pesuallas on kiinnitettävä ennen työtason asennusta.

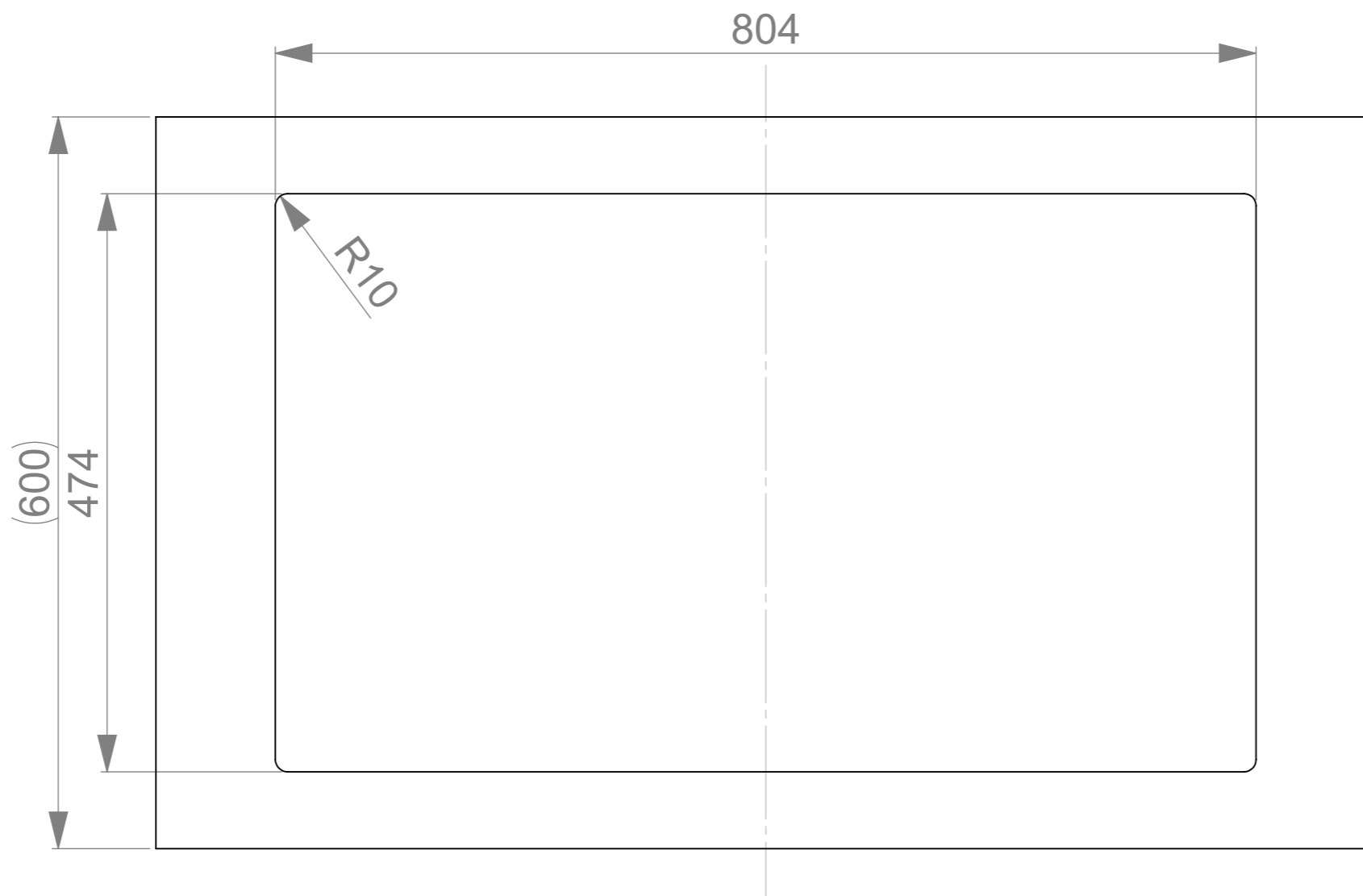
**Obs!**  
 Vid behov måste en inskärning för hofästena göras i skåpets mellanvägg och förbindningslist och diskbänken måste fästas innan du monterar bänkskivan.

**Notice!**  
 The partition walls and front/back list of the cupboard must be notched for the sink mountings when needed and the sink must be fastened before installing the worktop.



 www.stala.com	Mass <b>5.52 kg</b>	General tolerance (blank)	Designed by <b>VS</b>	Date <b>30.09.2020</b>
	Size <b>A3</b>	Scale <b>1:5</b>	Item (blank)	Approved by <b>VS</b>
Description <b>L40-40</b> <b>Technical Data Sheet</b>			Drawing number <b>19199</b>	Sheet/sheets <b>3/6</b>
				Rev <b>A</b>

CUT-OUT



Change description

Date

Designed by



Mass  
**5.52 kg**

Size  
**A3**

Scale  
**1:5**

General tolerance

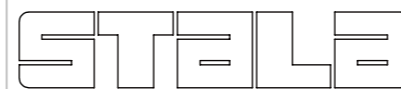
Designed by  
**VS**

Date  
**30.09.2020**

Item

Approved by  
**VS**

Date  
**15.10.2020**



www.stala.com

Description

**L40-40**

**Technical Data Sheet**

Drawing number

**19199**

Sheet/sheets

**4/6**

Rev

**A**

