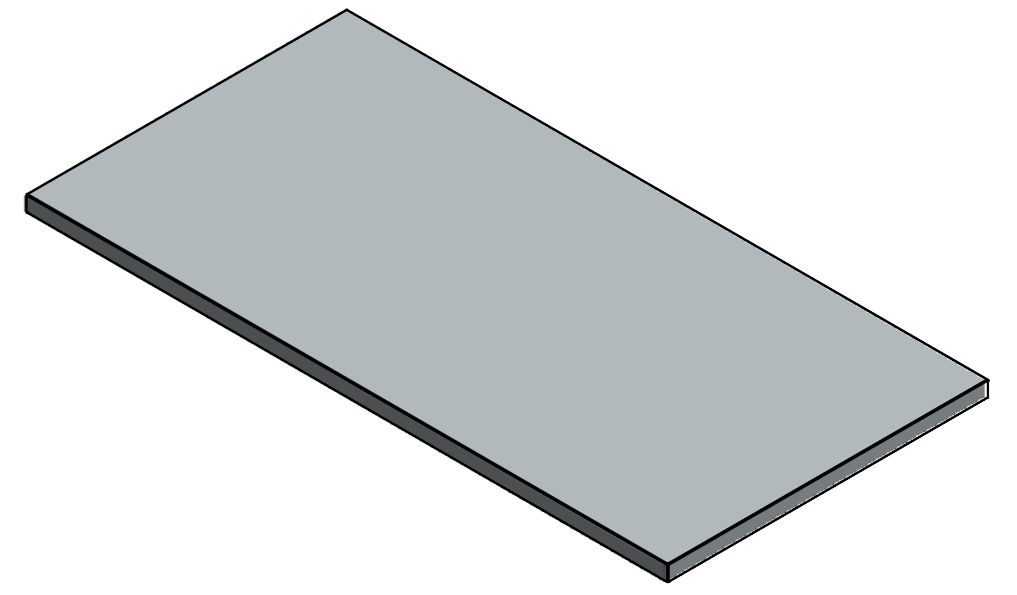
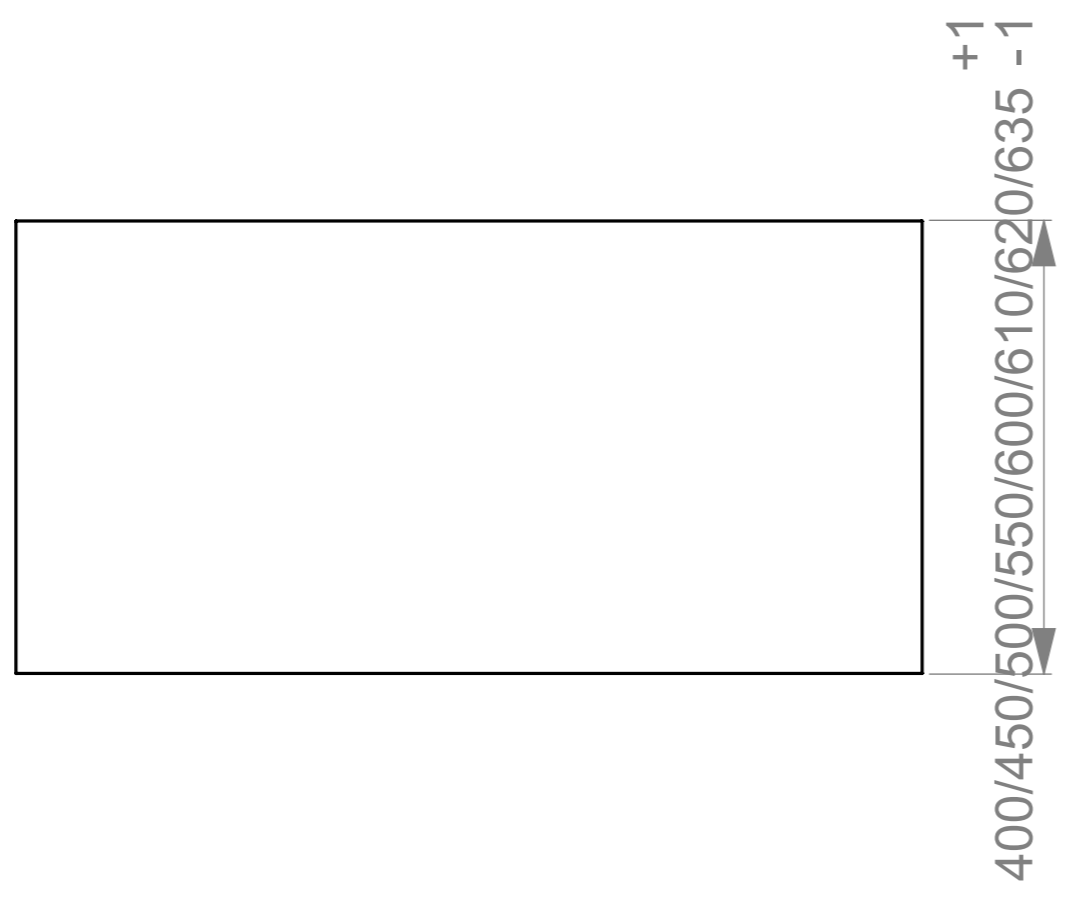
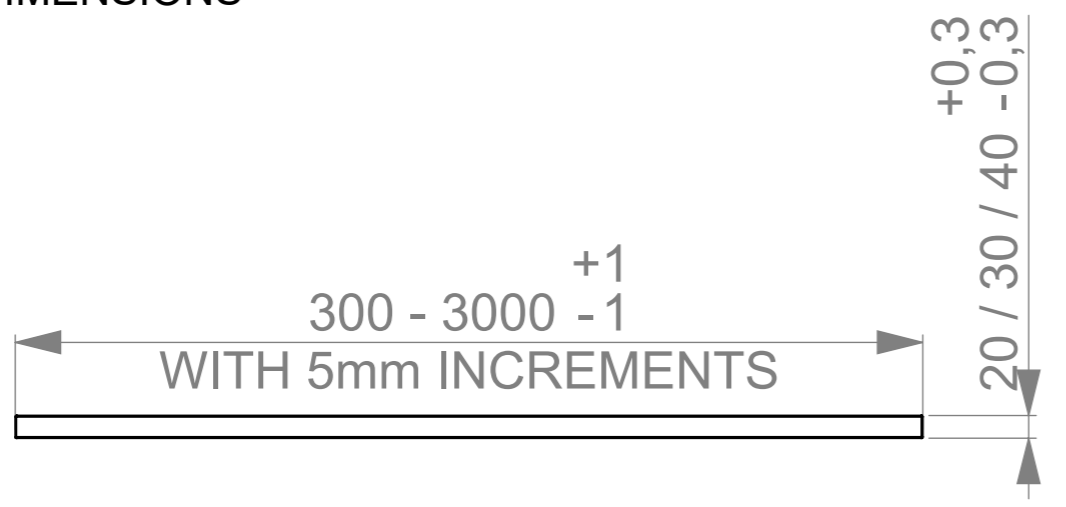


Change description	Date	Designed by
--------------------	------	-------------

MAIN DIMENSIONS

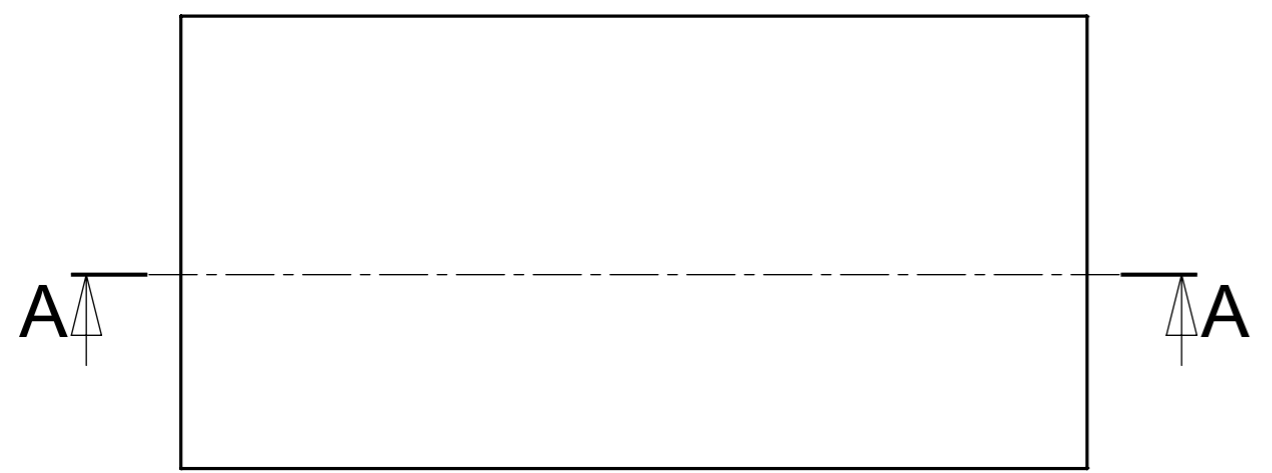


	Mass	9.61 kg	General tolerance	Designed by	VS	Date	22.09.2020	
	Size	A3	Scale	1:10	Item	Approved by	JP	Date
 www.stala.com	Description		H SEVEN	Drawing number		19197		
	Technical Data Sheet			Sheet/sheets		1/4		
				Rev		A		

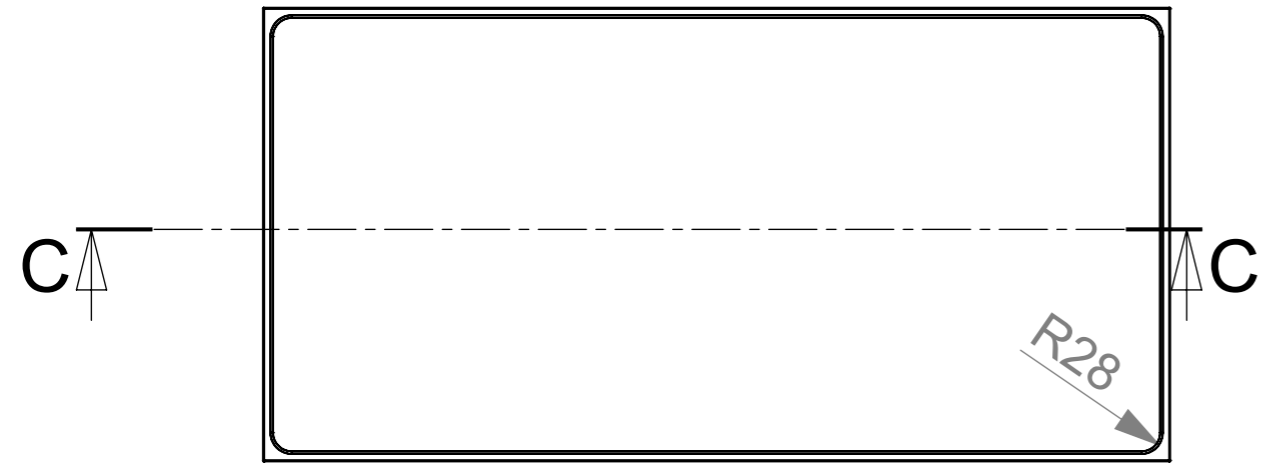
Change description	Date	Designed by
--------------------	------	-------------

EDGE PROFILES

STRAIGHT EDGE PROFILE

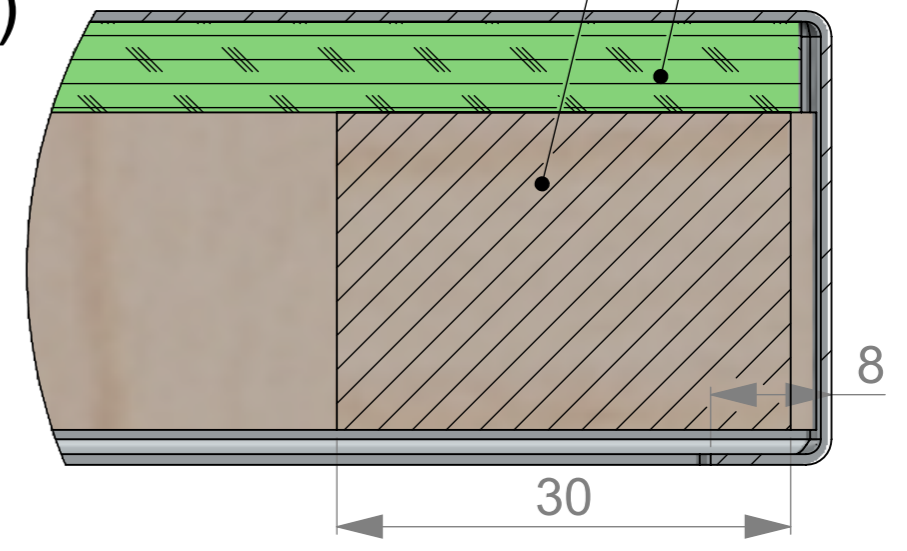


RAISED EDGE PROFILE

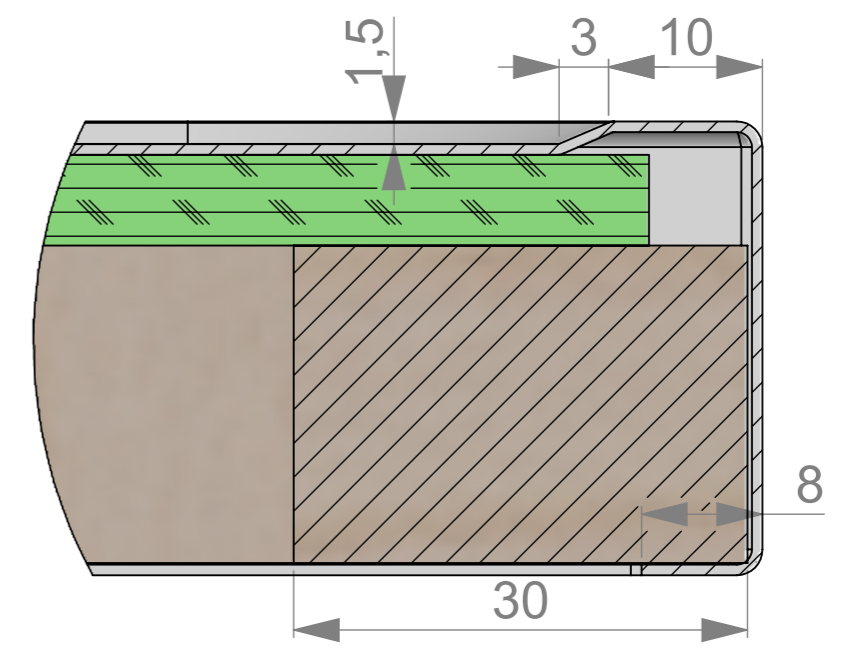


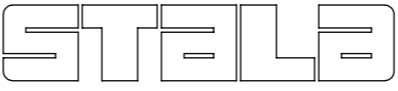
6 mm construction sheet
construction list

B (2 : 1)



D (2 : 1)

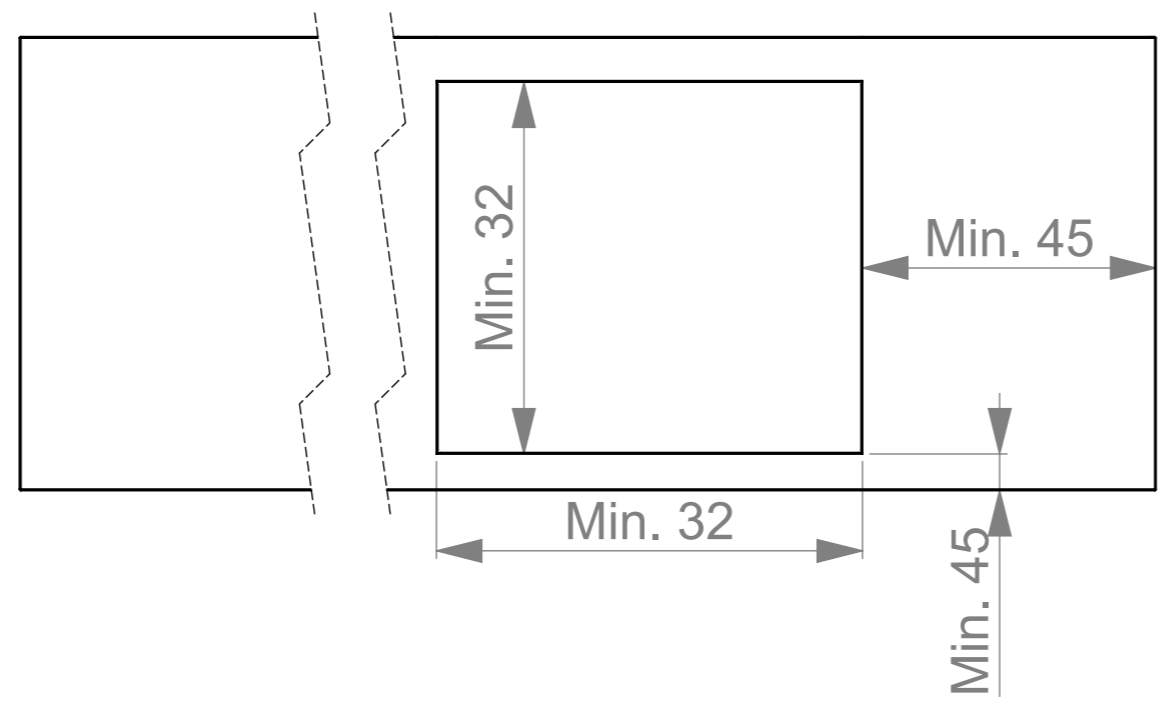


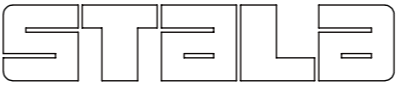
 www.stala.com	Mass 9.61 kg	General tolerance Item	Designed by VS	Date 22.09.2020
	Size A3	Scale 1:10	Description H SEVEN Technical Data Sheet	Approved by JP
			Drawing number 19197	Sheet/sheets 2/4
				Rev A

Change description	Date	Designed by
--------------------	------	-------------

HOB CUTOUT

PRINCIPLE MEASUREMENTS FOR OPTIONAL HOB CUTOUT

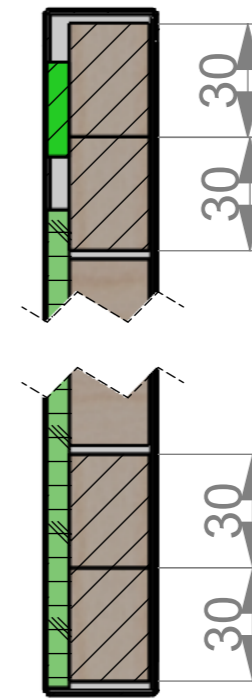
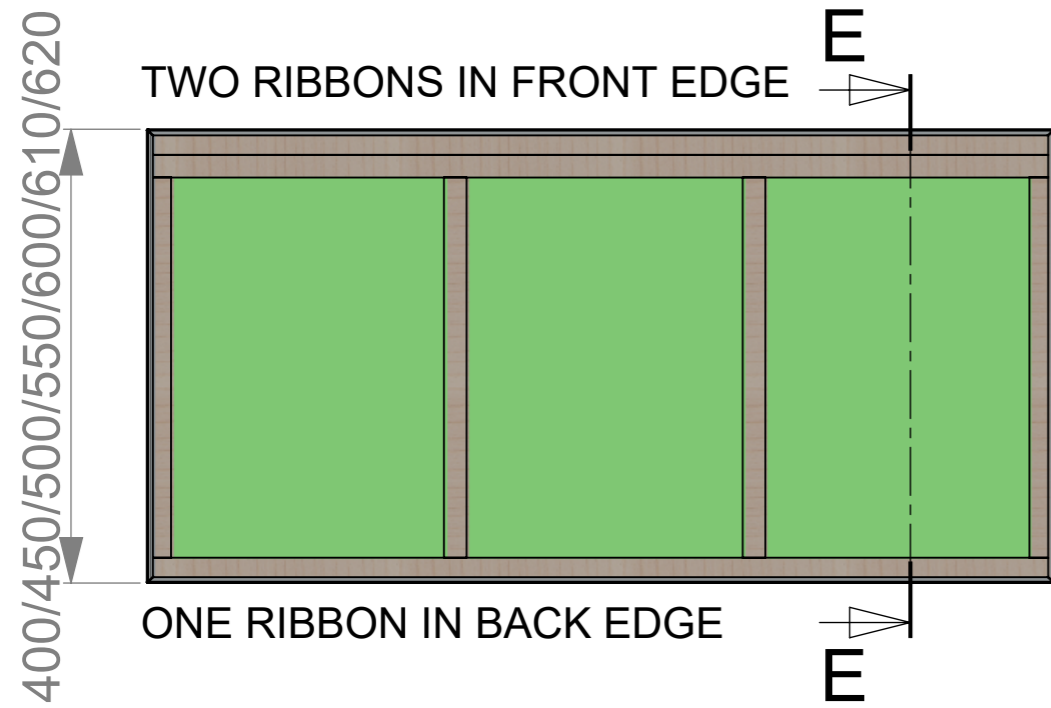
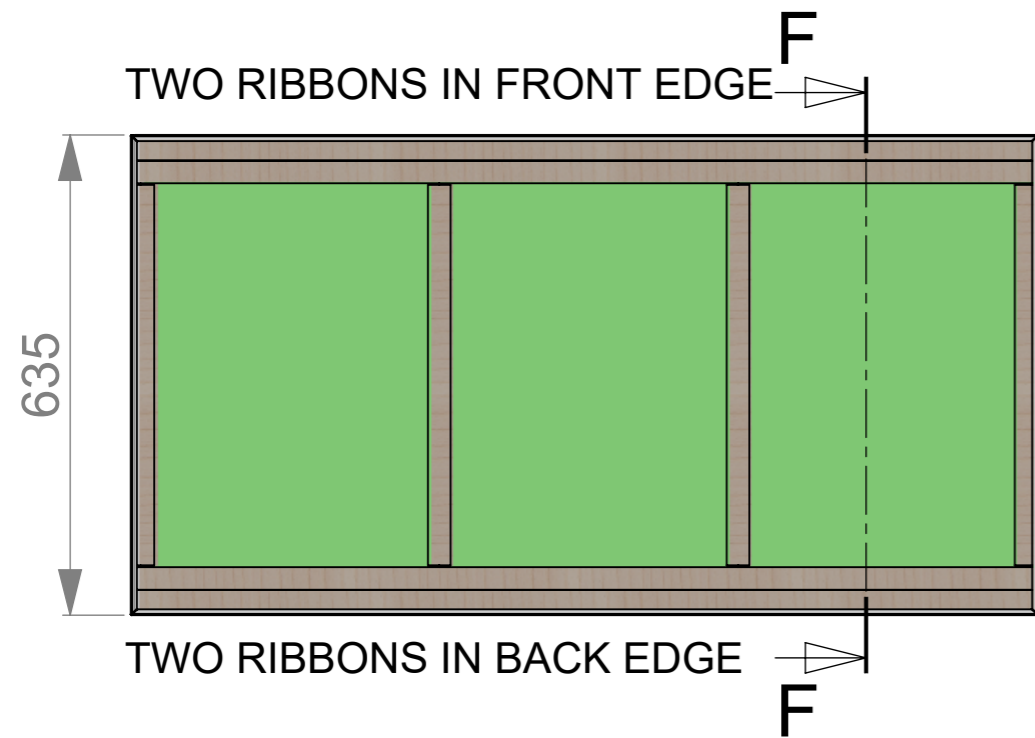


 www.stala.com	Mass 9.51 kg	General tolerance	Designed by VS	Date 22.09.2020
	Size A3	Scale 1:10	Item	Approved by JP
Description H SEVEN Technical Data Sheet		Drawing number 19197	Sheet/sheets 3/4	
			Rev A	

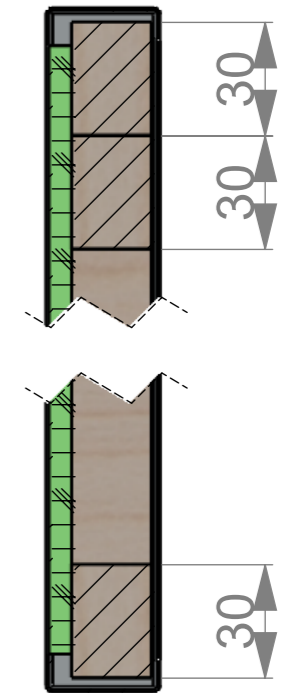
Change description	Date	Designed by
--------------------	------	-------------

UNDER CONSTRUCTION

PRINCIPLE OF UNDER CONSTRUCTION: RIBBONS IN FRONT EDGE AND BACK EDGE



F-F (1 : 2)



E-E (1 : 2)

	Mass	9.61 kg	General tolerance	Designed by	VS	Date	22.09.2020		
	Size	A3	Scale	1:10	Item	Approved by	JP	Date	22.09.2020
 www.stala.com	Description			H SEVEN		Drawing number		Sheet/sheets	
	Technical Data Sheet			19197		4/4		Rev	