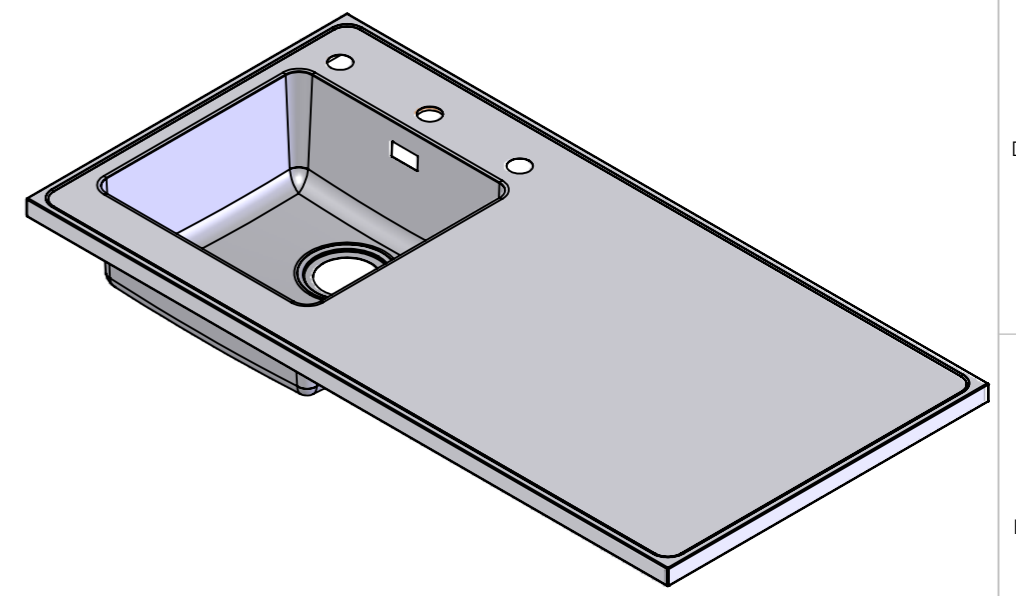
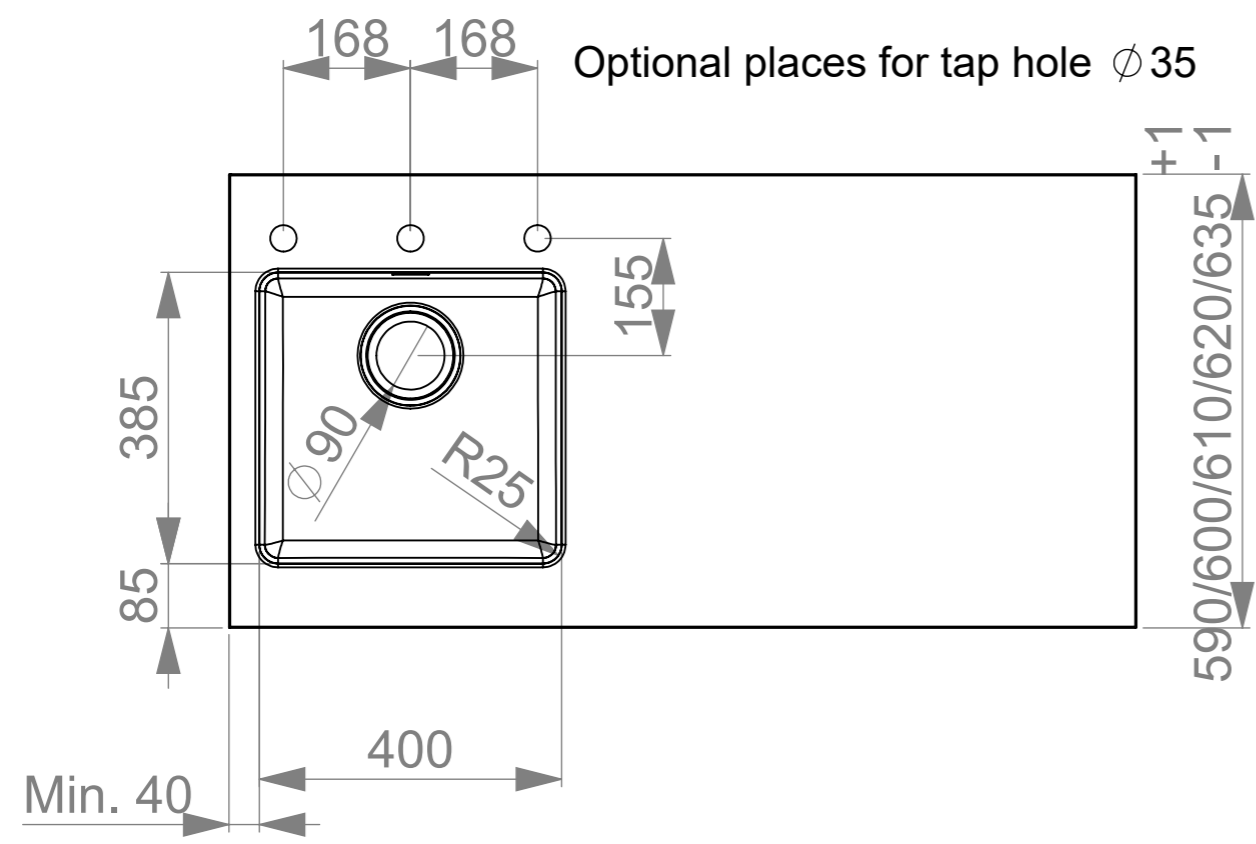
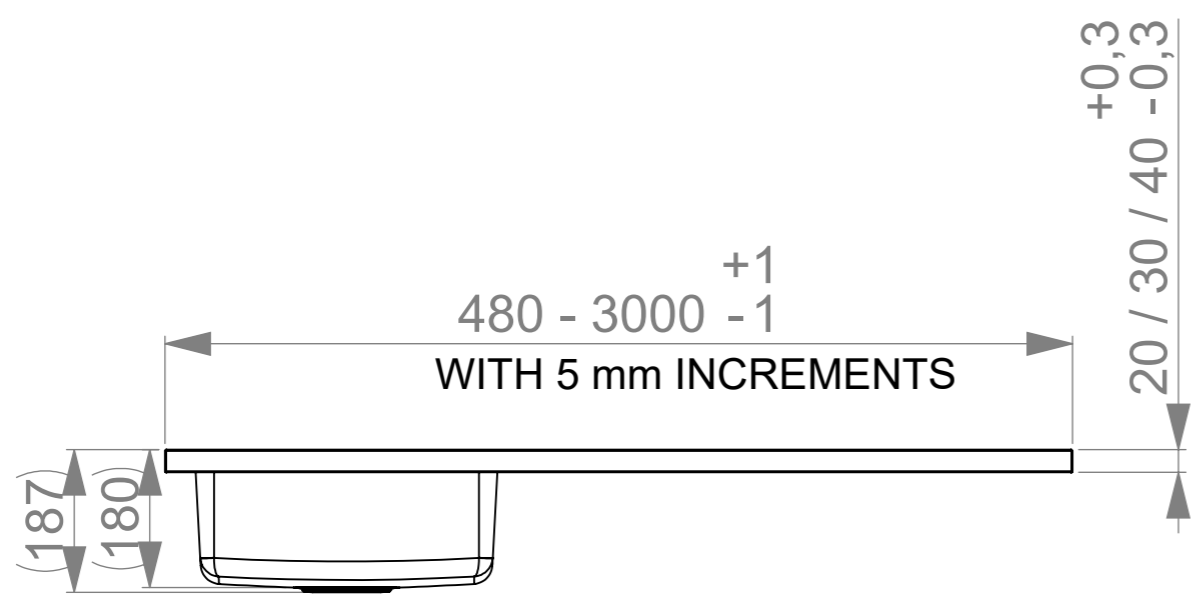



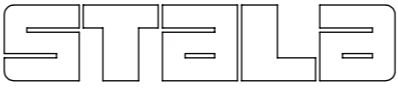
Change description
Under construction upgraded

Date
26.05.2020

Designed by
VS

MAIN DIMENSIONS



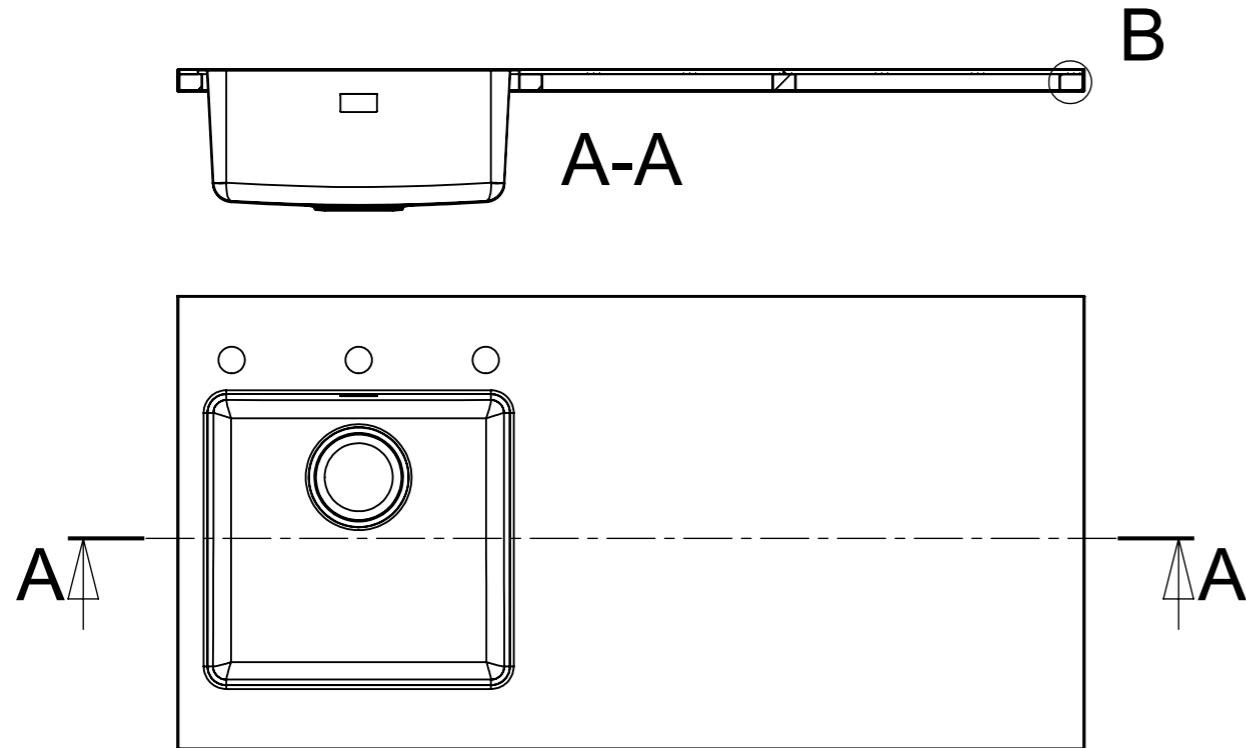
	Mass	7.59 kg	General tolerance	Designed by	Date
	Size	A3	Scale	VS	22.11.2019
 www.stala.com			Item	Approved by	Date
	Description		M SEVEN	JP	30.12.2019
	Technical Data Sheet		Drawing number	19034	Sheet/sheets
				Rev	B

Change description
Under construction upgraded

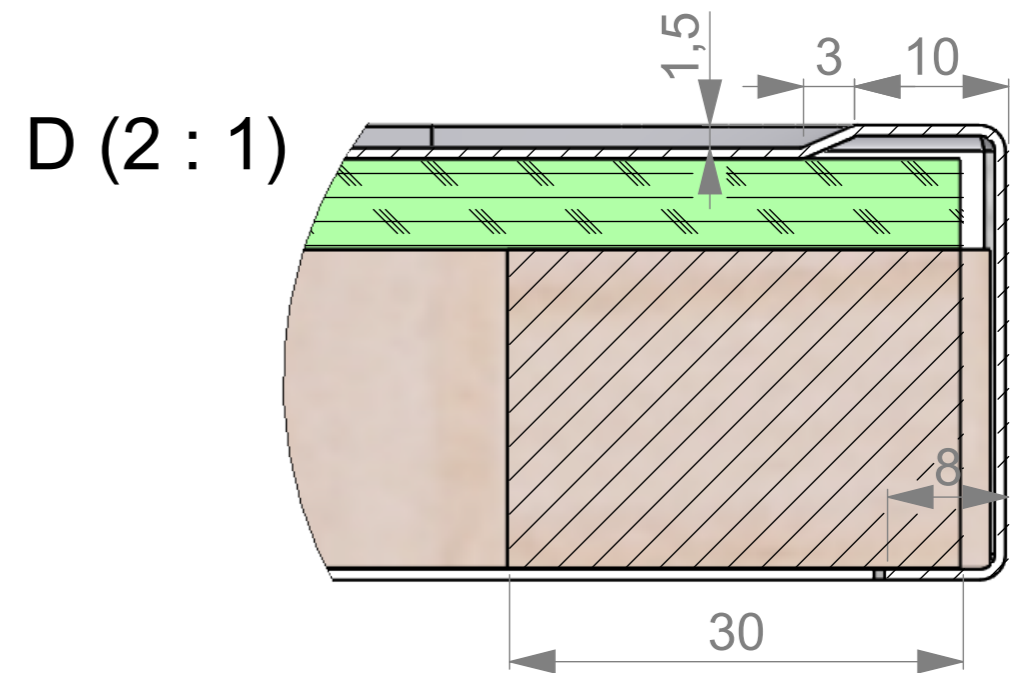
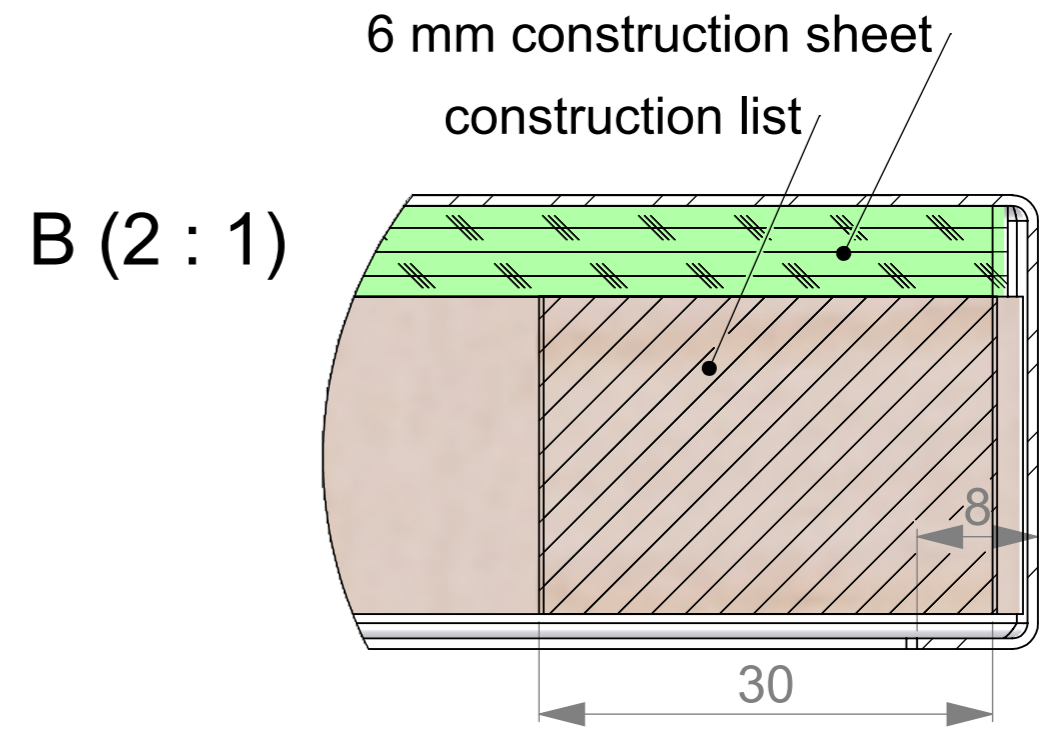
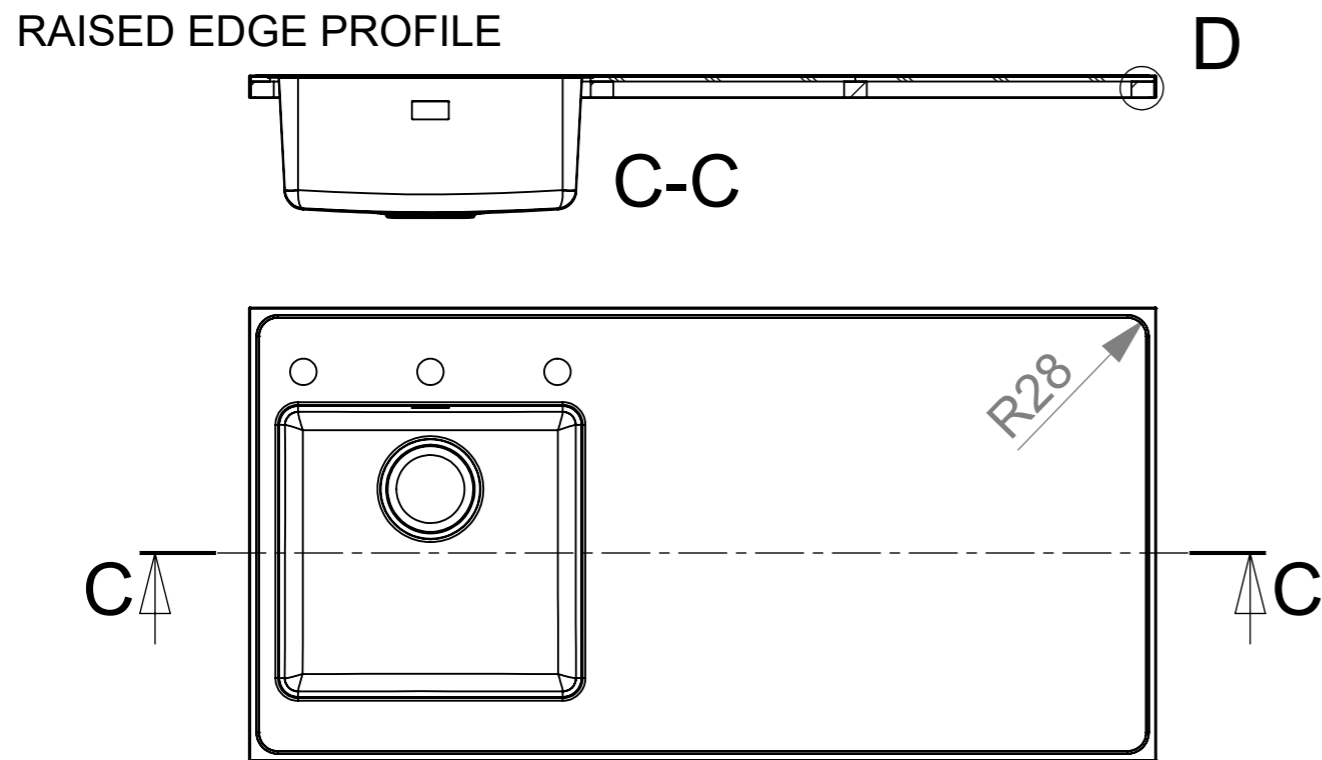
Date
26.05.2020
Designed by
VS

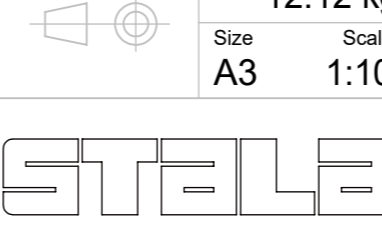
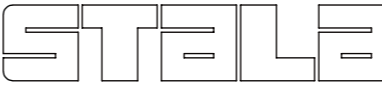
EDGE PROFILES

STRAIGHT EDGE PROFILE



RAISED EDGE PROFILE



 www.stala.com	Mass 12.12 kg	General tolerance	Designed by VS	Date 22.11.2019
	Size A3		Scale 1:10	Approved by JP
 www.stala.com	Description M SEVEN Technical Data Sheet		Drawing number 19034	Sheet/sheets 2/5
				Rev B

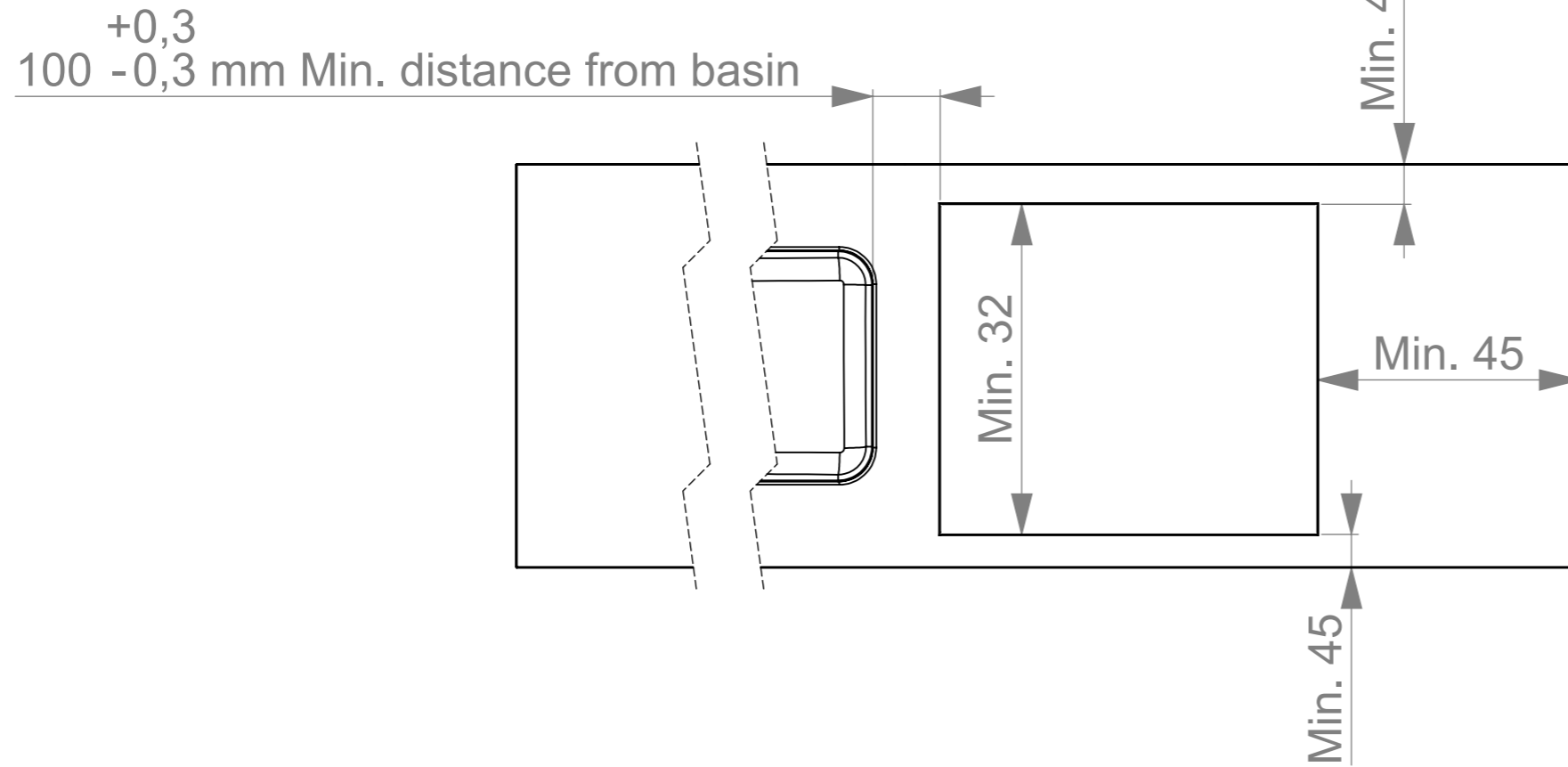
Change description
Under construction upgraded

Date
26.05.2020

Designed by
VS

HOB CUTOUT

PRINCIPLE MEASUREMENTS FOR OPTIONAL HOB CUTOUT

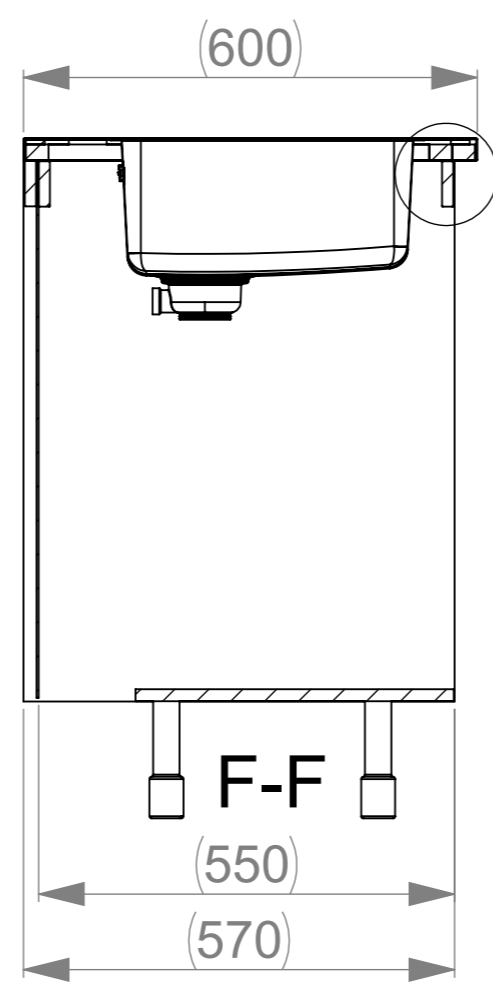
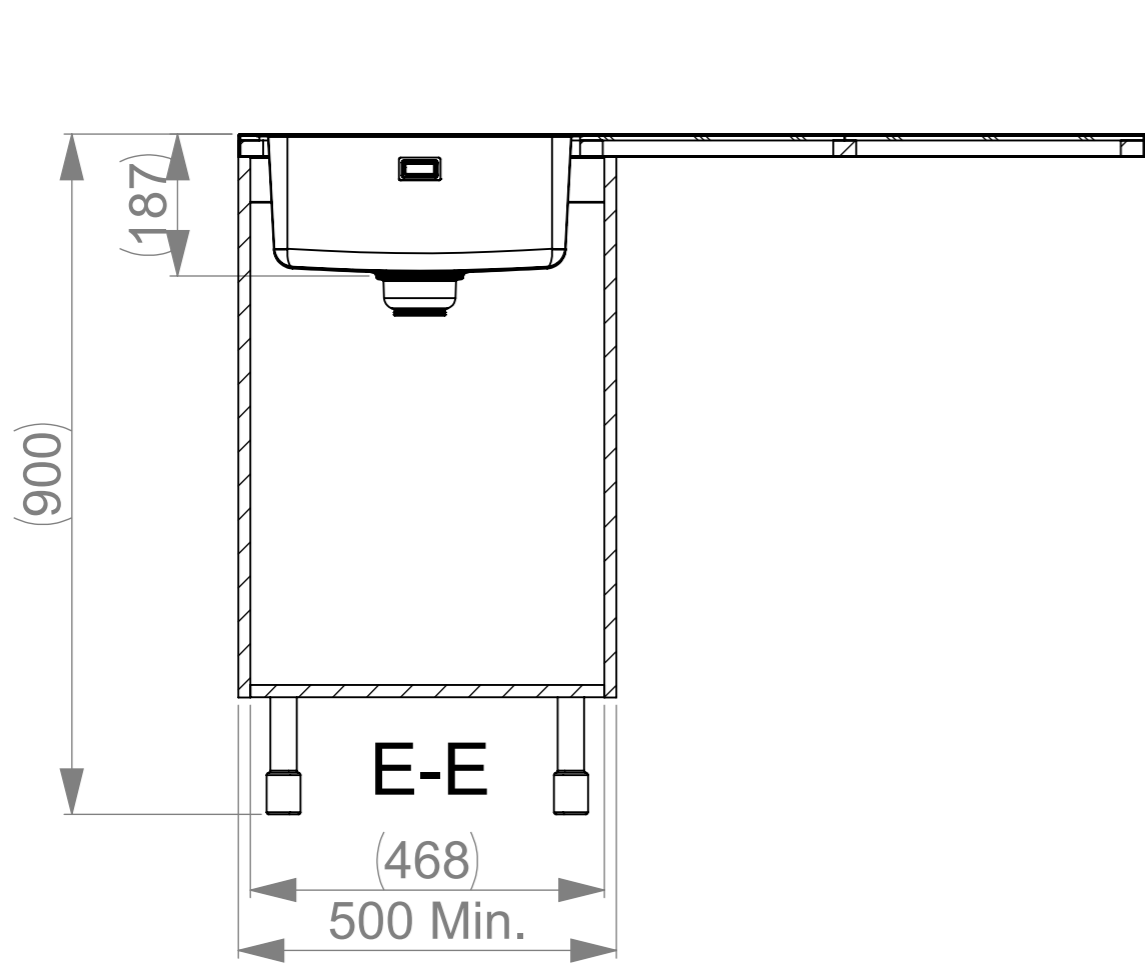


	Mass	9.51 kg	General tolerance	Designed by	Date	
	Size	A3	Scale	1:10	Item	VS
 www.stala.com	Description		M SEVEN	Approved by	Date	
	Technical Data Sheet		19034	JP	30.12.2019	
	Drawing number		3/5	Sheet/sheets	Rev	B

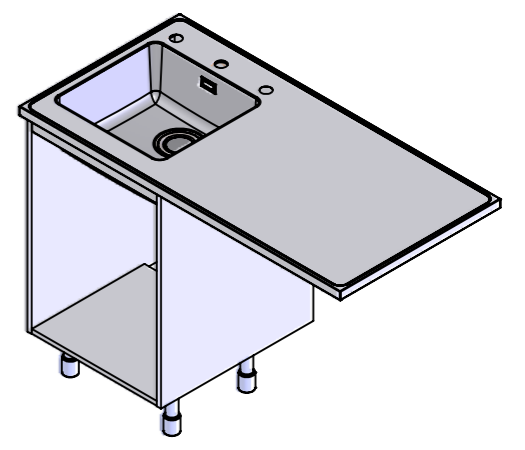
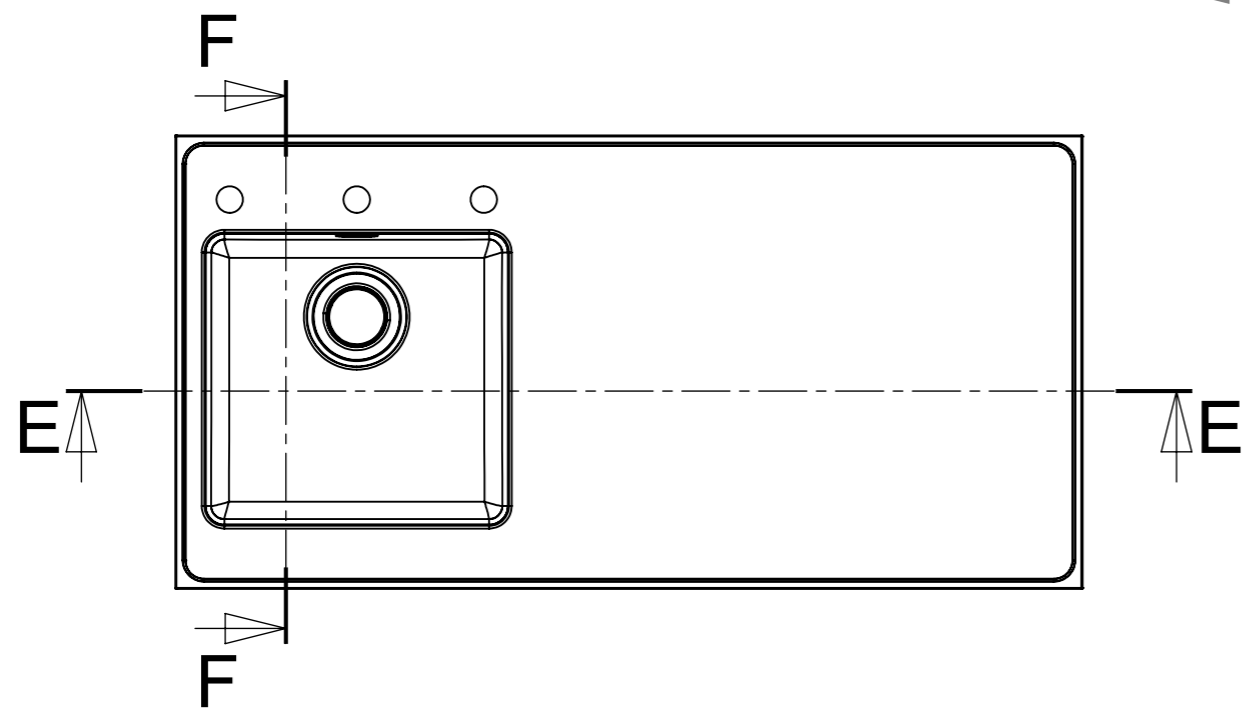
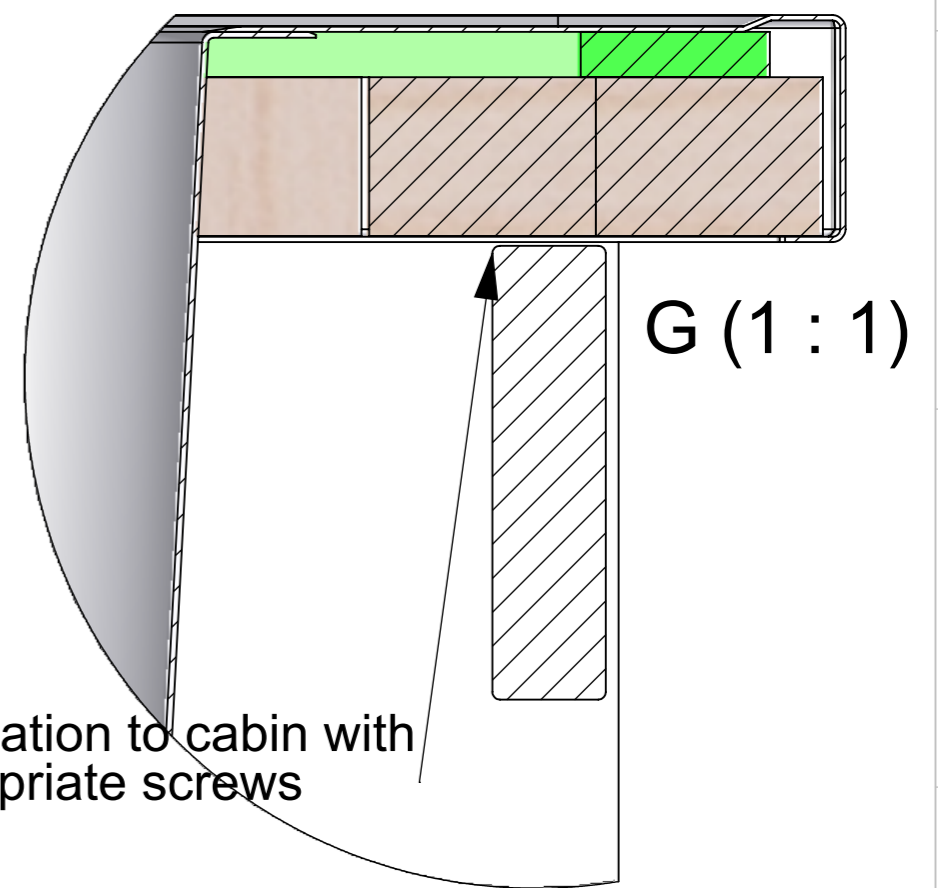
SPACE REQUIREMENTS

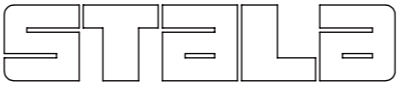
Change description
Under construction upgraded

Date
26.05.2020
Designed by
VS



G



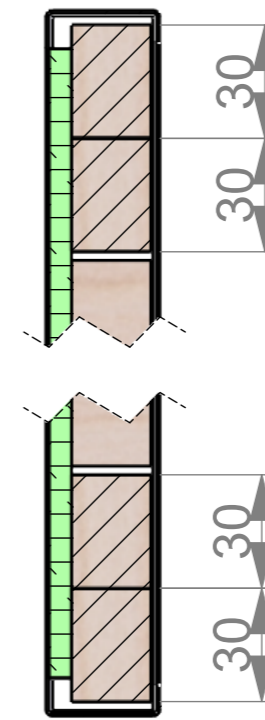
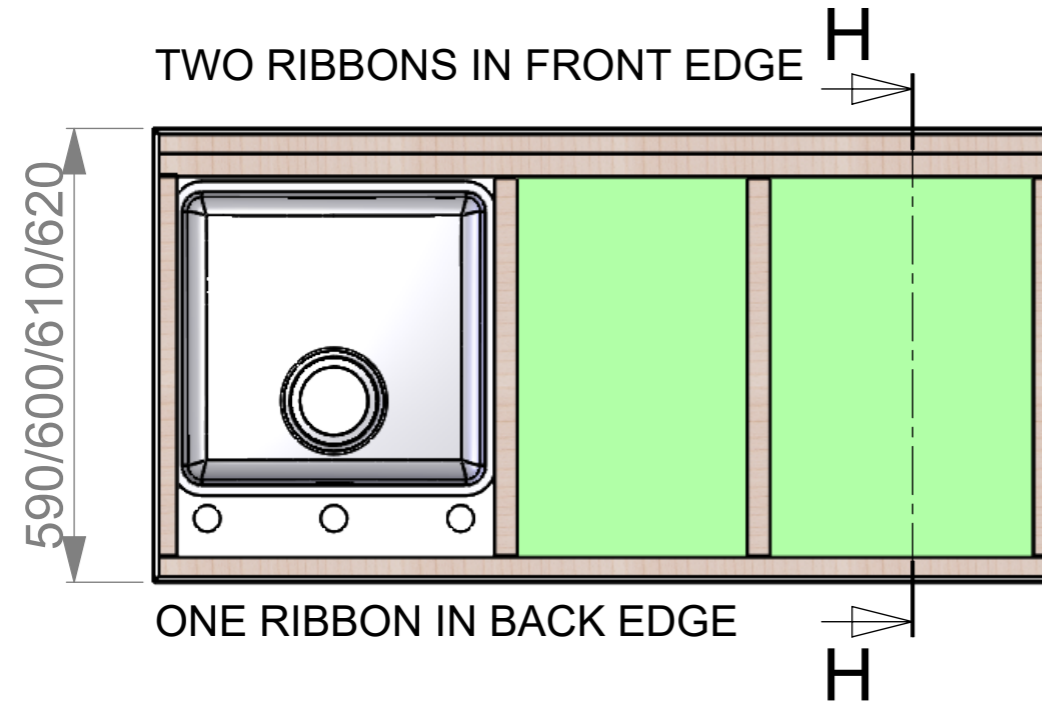
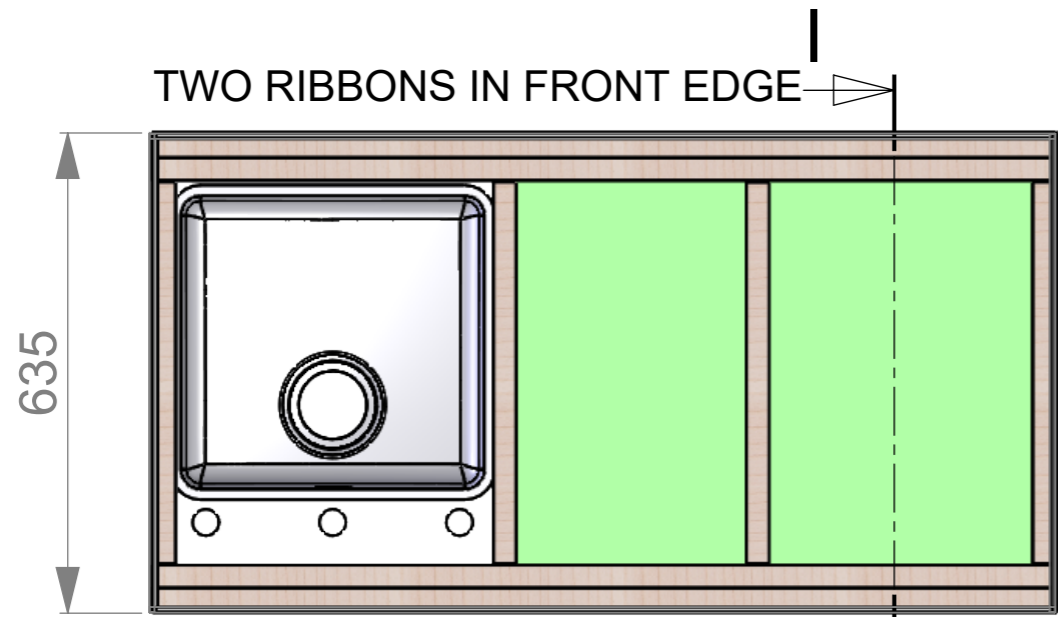
 www.stala.com	Mass 22.95 kg	General tolerance	Designed by VS	Date 22.11.2019
	Size A3	Scale 1:10	Item	Approved by JP
Description M SEVEN Technical Data Sheet		Drawing number 19034	Sheet/sheets 4/5	
			Rev B	

Change description
Under construction upgraded

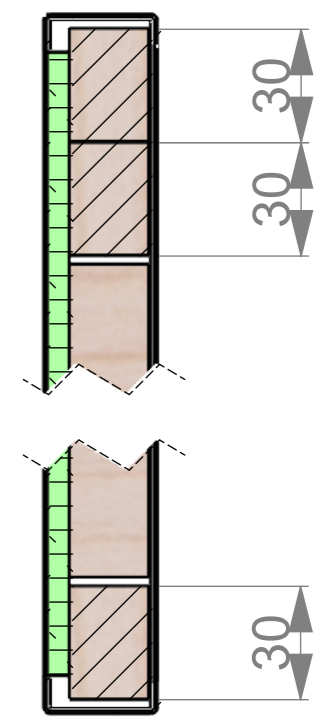
Date
26.05.2020
Designed by
VS

UNDER CONSTRUCTION

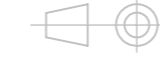
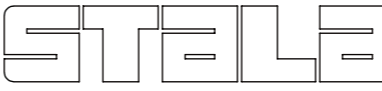
PRINCIPLE OF UNDER CONSTRUCTION: RIBBONS IN FRONT EDGE AND BACK EDGE



I-I (1 : 2)



H-H (1 : 2)

	Mass	8.36 kg	General tolerance	Designed by	VS	Date	22.11.2019		
	Size	A3	Scale	1:10	Item	Approved by	JP	Date	30.12.2019
		Description		M SEVEN		Drawing number		Sheet/sheets	
www.stala.com		Technical Data Sheet		19034		Rev		B	