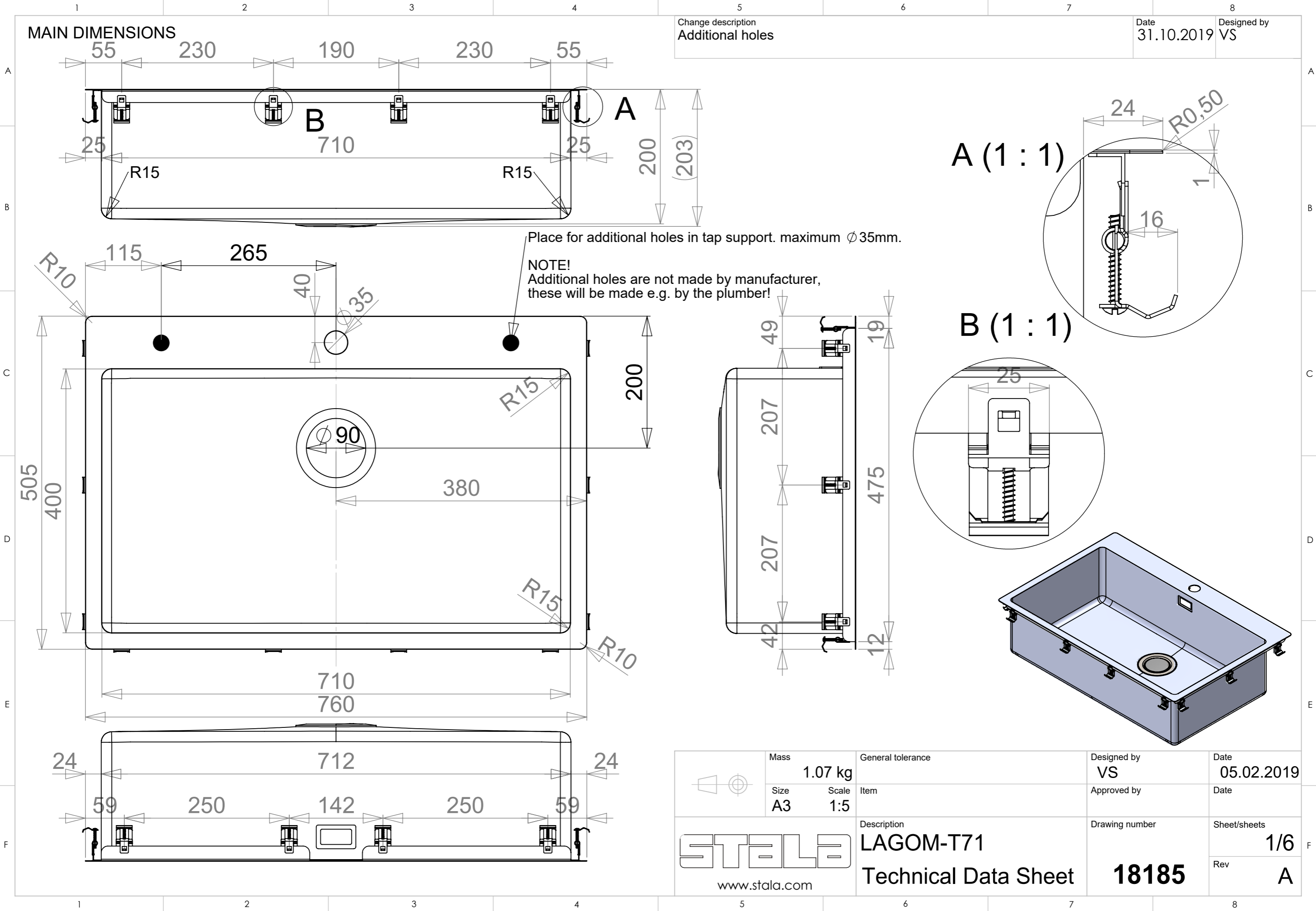


MAIN DIMENSIONS

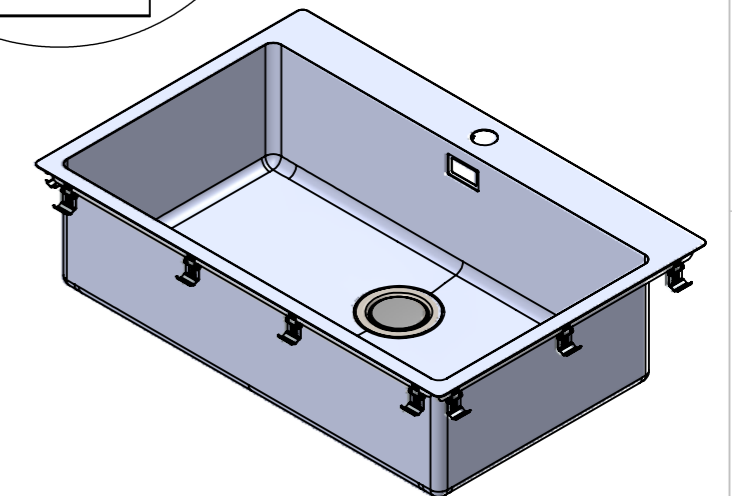
Change description
Additional holes

Date
31.10.2019
Designed by
VS



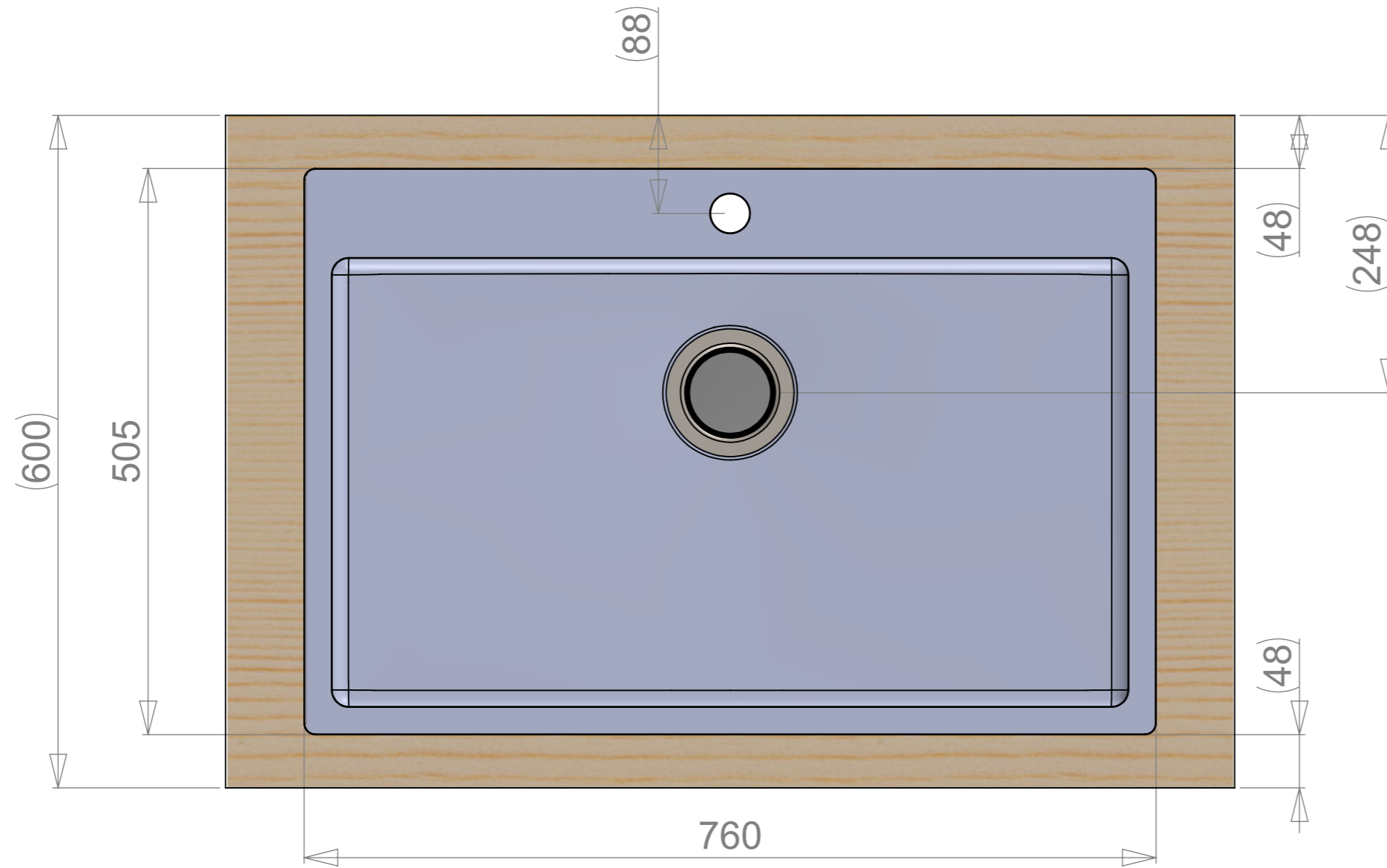
A (1 : 1)

B (1 : 1)



	Mass	1.07 kg	General tolerance	Designed by	VS	Date	05.02.2019
	Size	A3		Scale	1:5	Item	Approved by
 www.stala.com	Description			Drawing number	18185	Sheet/sheets	1/6
	LAGOM-T71 Technical Data Sheet			Rev	A		

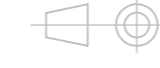
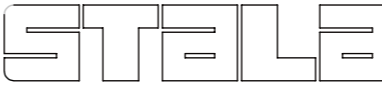
WORKTOP ASSEMBLY



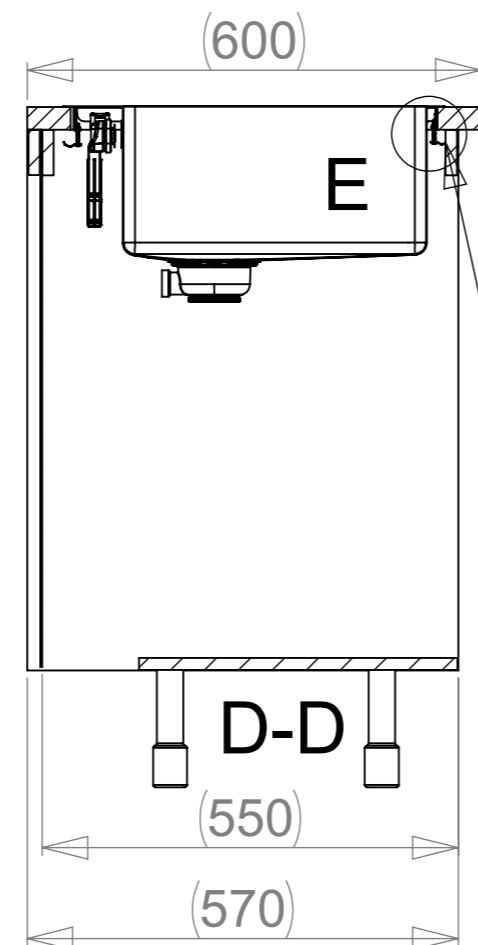
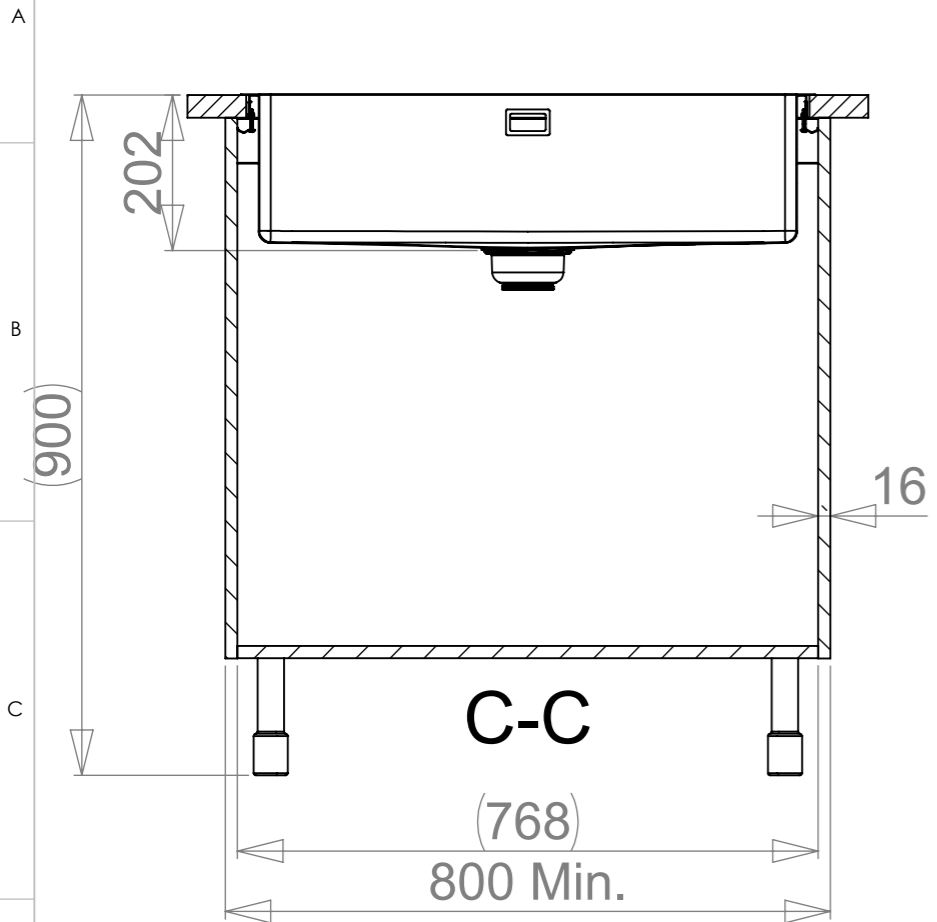
Change description
Additional holes

Date
31.10.2019

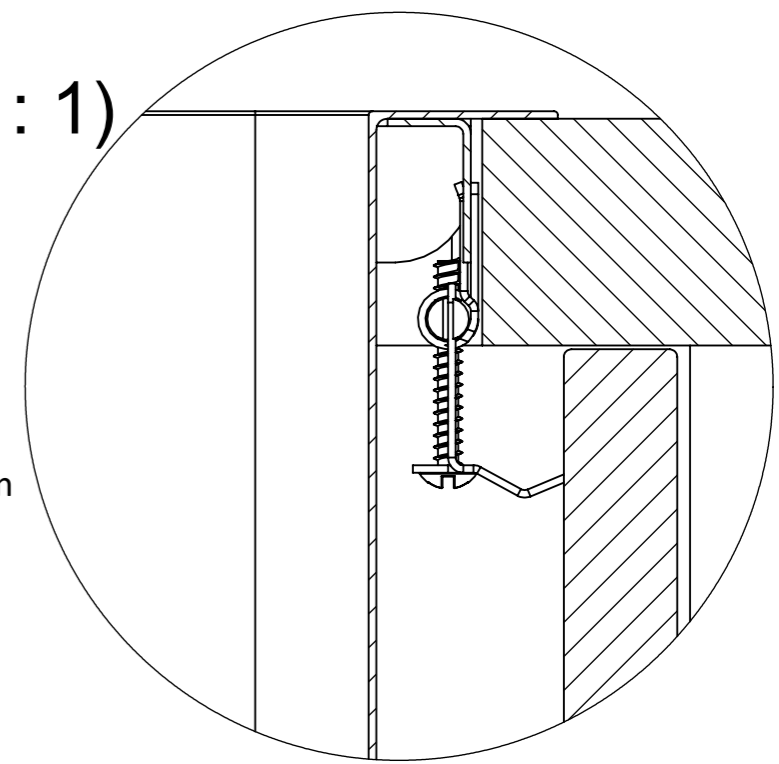
Designed by
VS

	Mass	1.07 kg	General tolerance	Designed by	Date
	Size	A3	Scale	VS	05.02.2019
 www.stala.com		1:5	Item	Approved by	Date
	Description		LAGOM-T71	Drawing number	Sheet/sheets
	Technical Data Sheet		18185	2/6	Rev
				A	

SPACE REQUIREMENTS

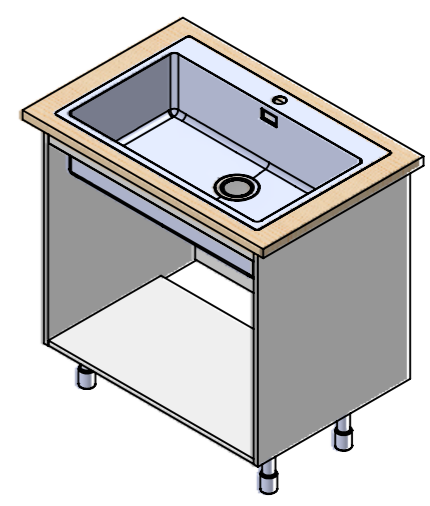
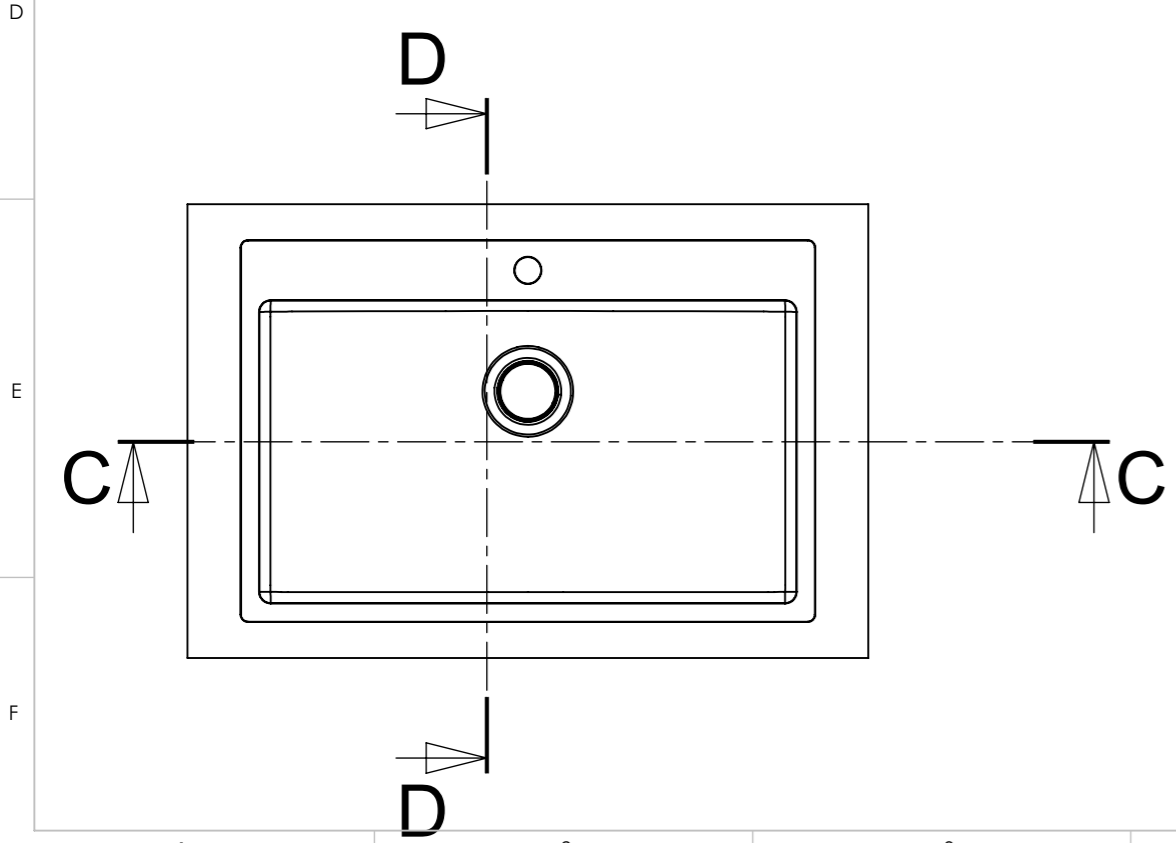


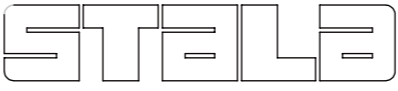
E (1 : 1)



Change description Additional holes	Date 31.10.2019	Designed by VS
--	--------------------	-------------------

Huom!
Tarvittaessa kaapin väliseinää ja etu/takalistaa lovetettava kiinnikkeitä varten ja pesuallas on kiinnitettävä ennen työtason asennusta.
Obs!
Vid behov måste en inskärning för hofästena göras i skåpets mellanvägg och förbindningslist och diskbänken måste fästas innan du monterar bänkskivan.
Notice!
The partition walls and front/back list of the cupboard must be notched for the sink mountings when needed and the sink must be fastened before installing the worktop.

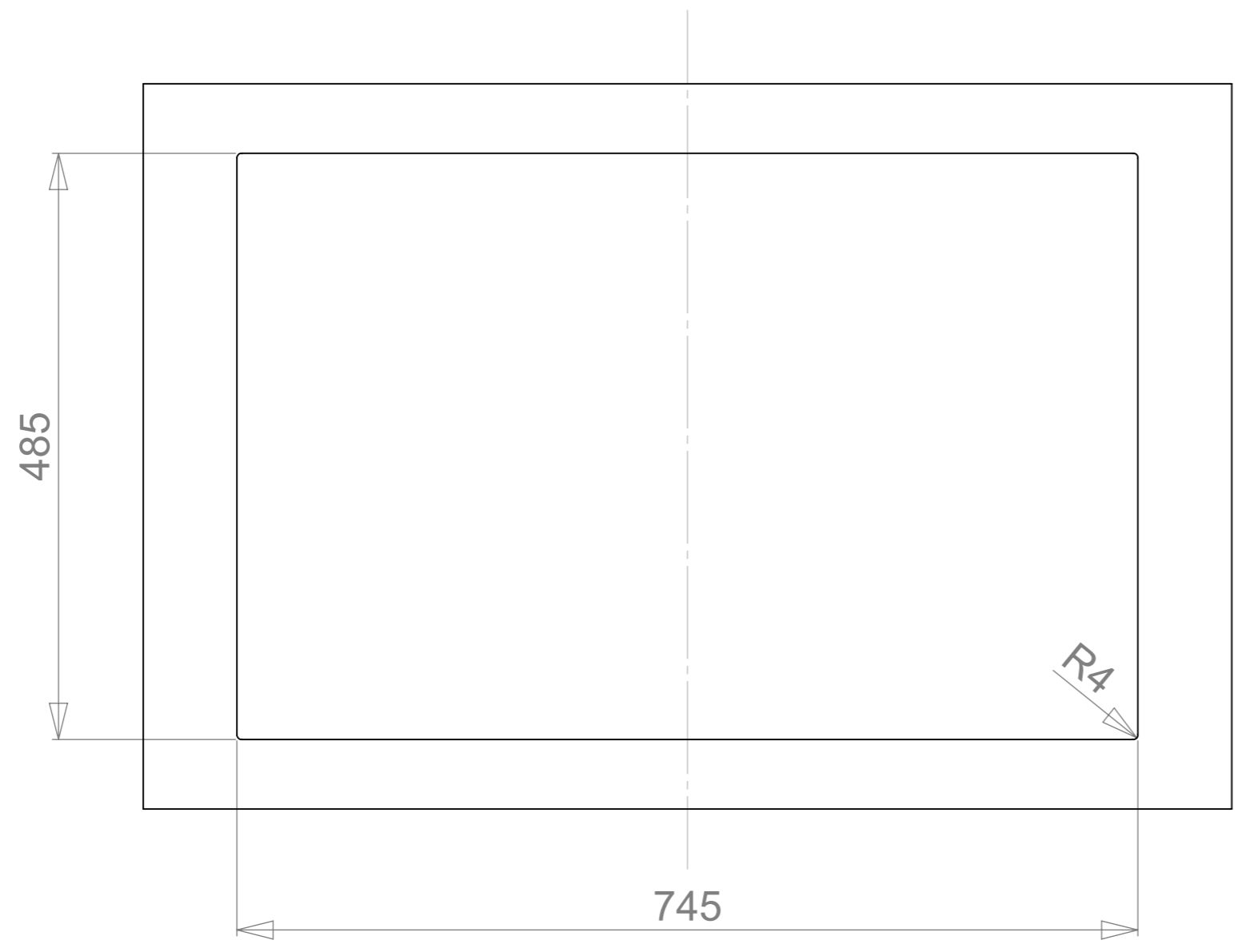


 www.stala.com	Mass 1.07 kg	General tolerance	Designed by VS	Date 05.02.2019
	Size A3	Scale 1:10	Item	Date
Description LAGOM-T71 Technical Data Sheet			Drawing number 18185	Sheet/sheets 3/6 Rev A

1 2 3 4 5 6 7 8


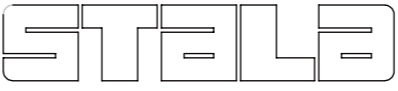
Change description Additional holes	Date 31.10.2019	Designed by VS
--	--------------------	-------------------

CUT-OUT



A
B
C
D
E
F

A
B
C
D
E
F

	Mass 1.07 kg	General tolerance	Designed by VS	Date 05.02.2019
	Size A3	Scale 1:5	Item	Date
 www.stala.com	Description LAGOM-T71 Technical Data Sheet		Drawing number 18185	Sheet/sheets 4/6
				Rev A

1 2 3 4 5 6 7 8

